



Application Note

VICON TECHNICAL SERVICES GROUP

Subject: System Console
Product: V1400X-DVC-3
Number: 1400-0001-33
Date: 05/15/02

System Console Interconnects

The purpose of the Application Note is to bring together, in one document, information that is available in the individual component Installation and Operation Manuals.

Refer to the following documents for additional programming and operation information:

- XX090 V1400X-DVC-3 Master Control Station Instruction Manual
- XX083 V800MIU-3 Multi-Unit Output Device
- XX040 AurorA2000 Digital Video Multiplexer Instruction Manual
- XX091 Aurora Cord Digital Recorder
- X873 AurorA99 Digital Video Multiplexer Instruction Manual

This system operates using the *AurorANet* communications protocol. AurorA2000 multiplexers *must* have version 2.0.0 software installed. If an earlier version is installed, Ver 2.0.0 can be downloaded from the Vicon website at www.vicon-cctv.com from the Software section.

This is a *typical* system layout. Variations of component locations, in regards to end-of-line termination, may make minor changes necessary in the physical connections. Programming will also vary, depending on the number of components in the system. In this Application Note, a VCR496 (NTSC) is used as an example.

1. Complete the system interconnections as shown in Figure 1.
2. Program the V1400X-DVC-3 as follows:
 - a. Keypad Settings:
 - Set as appropriate for communications with the Video Switching Matrix in use.
 - b. System:
 - Mode Selection:
 - Select appropriate Mode (Nova/AurorA/VCR or AurorA/VCR only).
 - Nova System:
 - Select 1300 or 1400, as appropriate, if Nova connections are in use.
 - VCR Configuration:
 - Unit numbers show the corresponding V800MIU-3 Address numbers. For simplicity in operation, use of the default addresses is recommended.
 - AurorA Configuration:
 - Select A99 or A2K for each AurorA to be controlled (note the address numbers for later use).
 - c. I/O Settings:
 - Set RS422:
 - Set to 9600 baud for Video Switching Matrix communications.
 - Set RS485:
 - Set to 9600 baud for AurorAnet

3. Program the AurorA2000 (or AurorAcorD) as follows:
 - a. From the Main Menu:
 - Select Serial Port Setup
 - Select Serial Port 1
 - Set Mode to AurorAnet
 - Set Baud Rate to 9600
 - Set Data Bits 8
 - Set Parity/Stop Bits to None/1
 - Set Type to RS-485
 - Select More AurorAnet Setup
 - Set Address of this A2K to desired address. For this Application Note, use address 2. (do not duplicate addresses among multiplexers, regardless of type).
 - Set System Bus Controller to Yes
4. Set the V800MIU-3 dipswitches as follows:
 - a. With an AurorA99 connected to TB1, set SW1 to: 1-Off, 2-Off, 3-Off, 4-Off, 5-Off, 6-Off, 7-On, 8-On.
 - b. With a Vicon VCR496 connected to TB2, set SW2 to: 1-Off, 2-Off, 3-Off, 4-Off, 5-On, 6-On, 7-Off, 8-Off.
 - c. With a Vicon VCR496 connected to TB3, set SW2 to: 1-On, 2-Off, 3-Off, 4-Off, 5-On, 6-On, 7-Off, 8-Off.
 - d. If no connections to TB4, turn all corresponding SW4 poles to On.
 - e. Set the 4 pole dipswitch to: 1-Off, 2-On, 3-On, 4-Off.
5. Set the AurorA99 connected to the V800MIU-3, TB1 as follows:
 - a. Serial Port 2:
 - Set Mode to Host
 - Set Baud Rate to 2400
 - Set Parity to None
 - Set Stop Bits to 1
6. Set the VCR496 as follows:
 - a. From the Main Menu
 - First Time Setup
 - RS232C
 - Set Transmission Rate to 2400
 - Set Data Bit Length to 8 Bit
 - Set Stop Bit Length to 1 Bit
 - Set Parity Bit to None
 - Set Delimiter (Send) to CR
 - Set Delimiter (Receive) to CR
 - Set VCR Address to None
7. In the programming and setup outlined above, it is assumed that there is one VCR for each multiplexer. The VCRs are connected to the V800MIU-3 and addressed in the MIU. For simplicity, the address of a VCR should correspond to the associated multiplexer, i.e., AurorA #1 should correspond to VCR #1.
8. If the AurorAcorD Digital Recorder is used, there is no corresponding VCR as the internal hard drive functions as the recorder. The address set in the AurorAcorD's AurorAnet menu will be the same for both the multiplexer selection and the VCR selection. When controlling an AurorAcorD from the System Console, the AurorA address must be selected for multiplexer functions and then the VCR address (same as multiplexer address) must be selected for record/playback functions, even though both units share the same chassis.

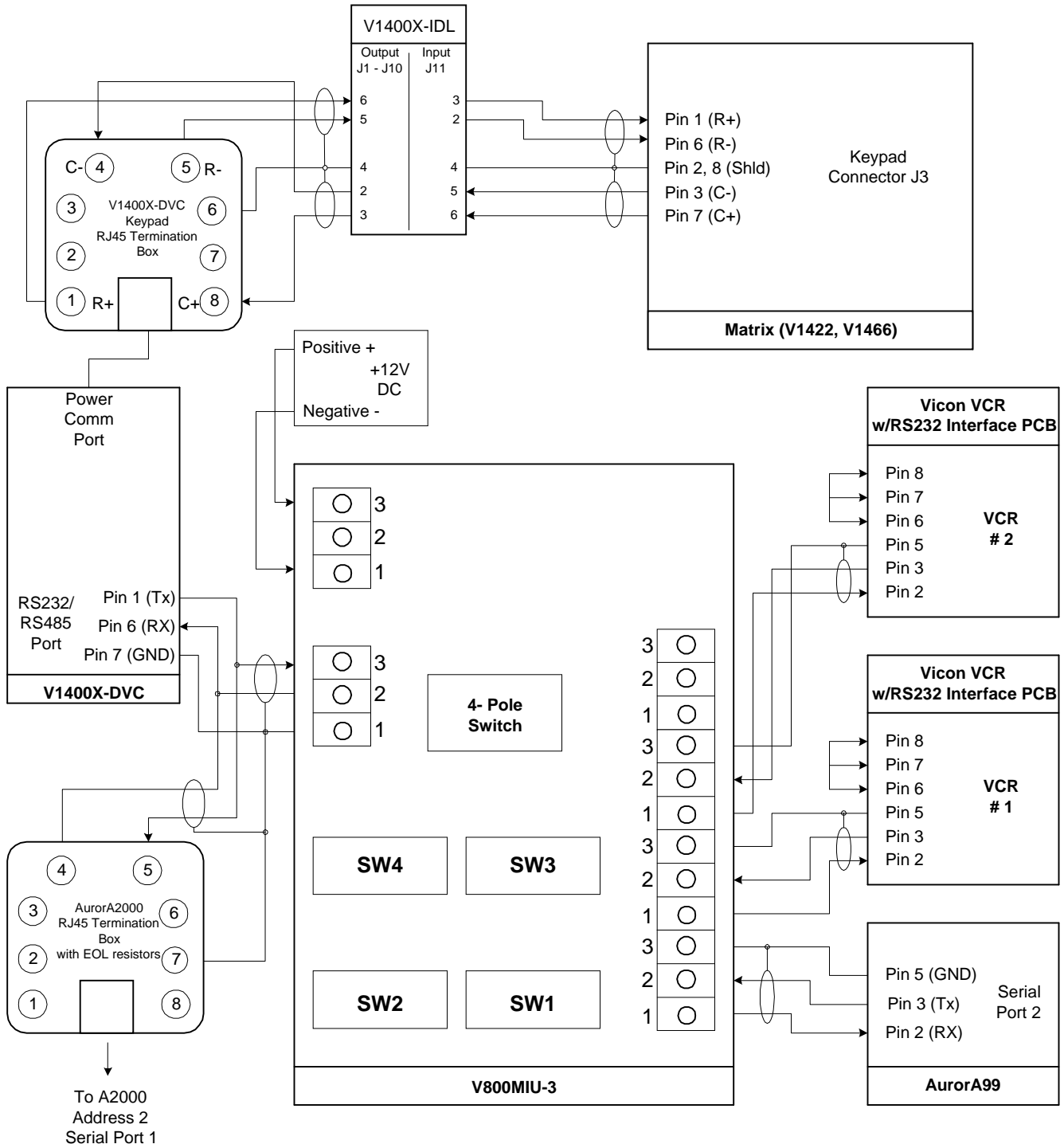


Figure 1