



Application Note

VICON TECHNICAL SERVICES GROUP

Subject: AurorANet
Product: AurorA2000 / A2K-KBD
Number: 1400-0001-28-01
Date: December 28, 2001

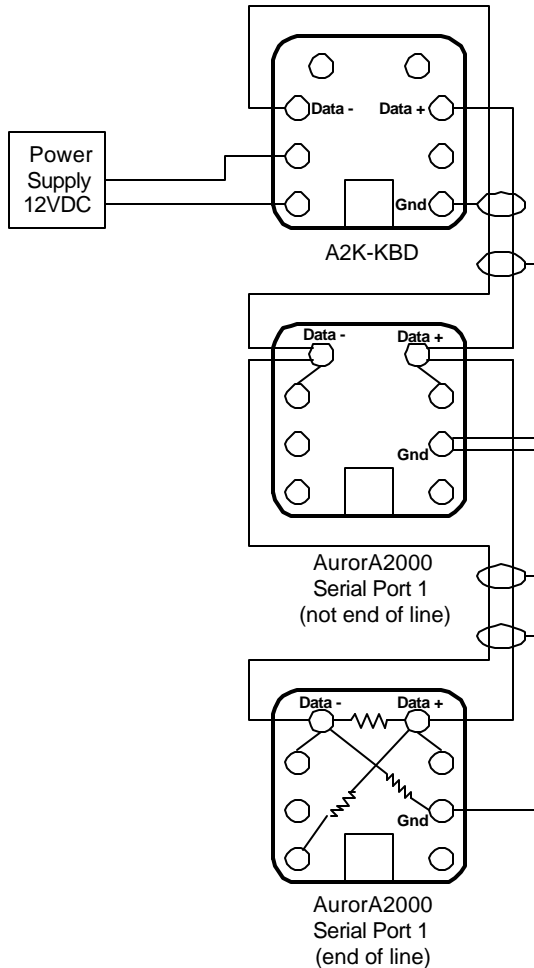
AurorANet Connections

The purpose of this application note is to simplify the connections and programming required for a basic system consisting of one A2K-KBD and two AurorA2000 Multiplexers.

1. This drawing assumes that the AurorANet RJ45 termination boxes (with resistors) are available for use. Use of these boxes eliminates the need to install the terminating jumpers outlined in XX040. If the resistor-style box is not available, refer to paragraph 2.

Refer to the following documents for additional programming and operation information:

- XX040 AurorA2000 Digital Video Multiplexer Instruction Manual
- AA040-02-00 AurorA2000 AurorANet Termination Box
- XX081 A2K-KBD AurorA2000 Remote Keyboard Instruction Manual



A2K-KBD:

Leave Jumpers in for EOL termination
Set dipswitch as follows:
1 - Off; 2 - Off; 3 - Off; 4 - On; 5 - Off;
6 - On; 7 - Off; 8 - Off

A2000:

Set Serial Port 1 as follows:
AurorAnet; 9600; 8; None/1; RS485
Set More AurorAnet Settings as follows:
Address - 2; System Bus Controller - No
Note: Remove resistors from termination box.

A2000:

Set Serial Port 1 as follows:
AurorAnet; 9600; 8; None/1; RS485
Set More AurorAnet Settings as follows:
Address - 1; System Bus Controller - Yes

Note: Only **One** component in the system illustrated above should be set as a System Bus Controller. The AurorA2000's should all have different addresses (maximum of 32 AurorA2000 or AurorACord devices and 8 A2K-KBD).

2. If the End-Of-Line Resistor Termination box is not available, one may be constructed by adding three resistors to a standard RJ45 Termination as shown in Figure A below. The equivalent electrical circuit is shown in Figure B.

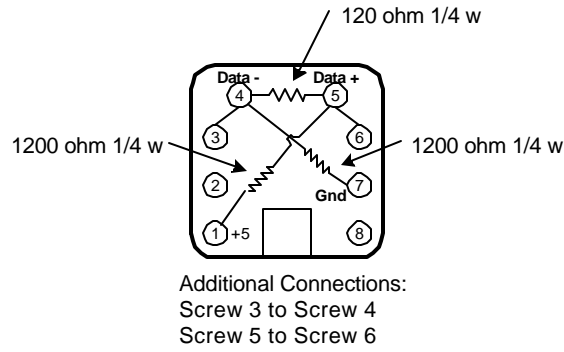


Figure A

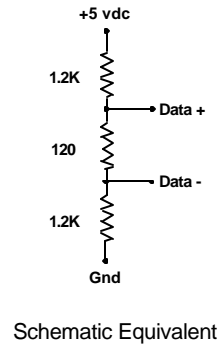


Figure B