



TECH NOTE

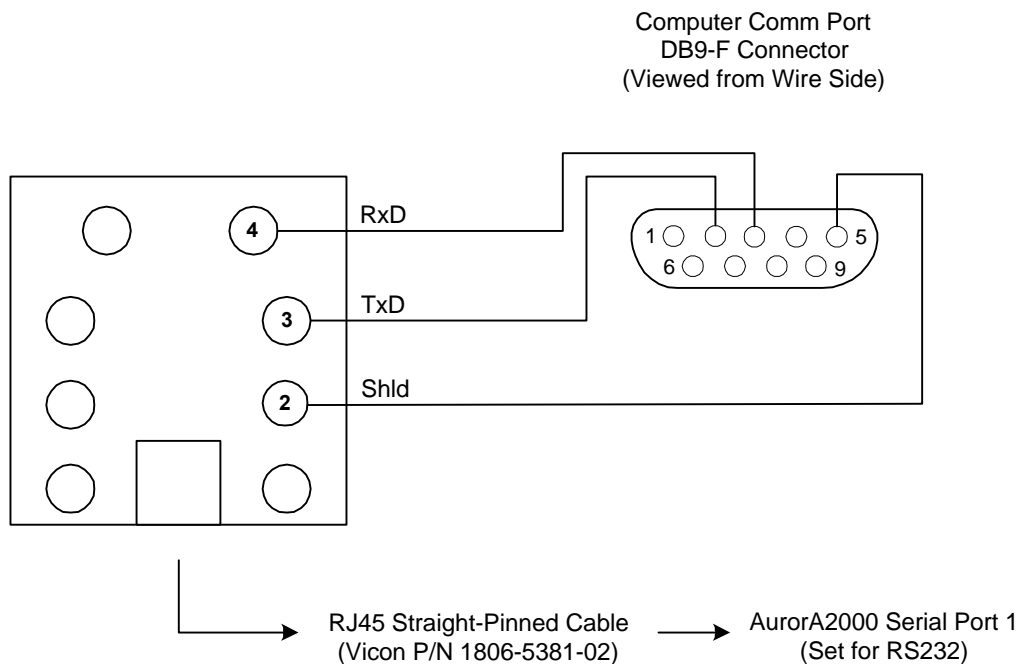
VICON TECHNICAL SERVICES GROUP

Subject: Software Upgrade Cable
Product: AurorA2000
Number: 1400-0001-10-00
Date: 07/05/01

AurorA2000 Software Upgrade Cable

This Tech Note provides a pictorial diagram of the RJ-45 "Bisquit Box" wiring required when uploading new software to the AurorA2000™ Digital Multiplexer.

This document should be used in conjunction with TB040-01-00, Rev 501, AurorA2000 Software Release Version V2.0.0. Note: Although this document references V2.0.0, the procedures contained therein are the same for all software version updates.



Software updates are available from the Vicon Industries website at www.vicon-cctv.com by going to the US Website, then to the Software tab, and then to the AurorA2000 tab.

Download both the software and the technical bulletin. The technical bulletin may be printed directly from the *Adobe Acrobat™* program. The software is in a zipped format and will have to be unzipped using *WinZip™*, or other zipping program.