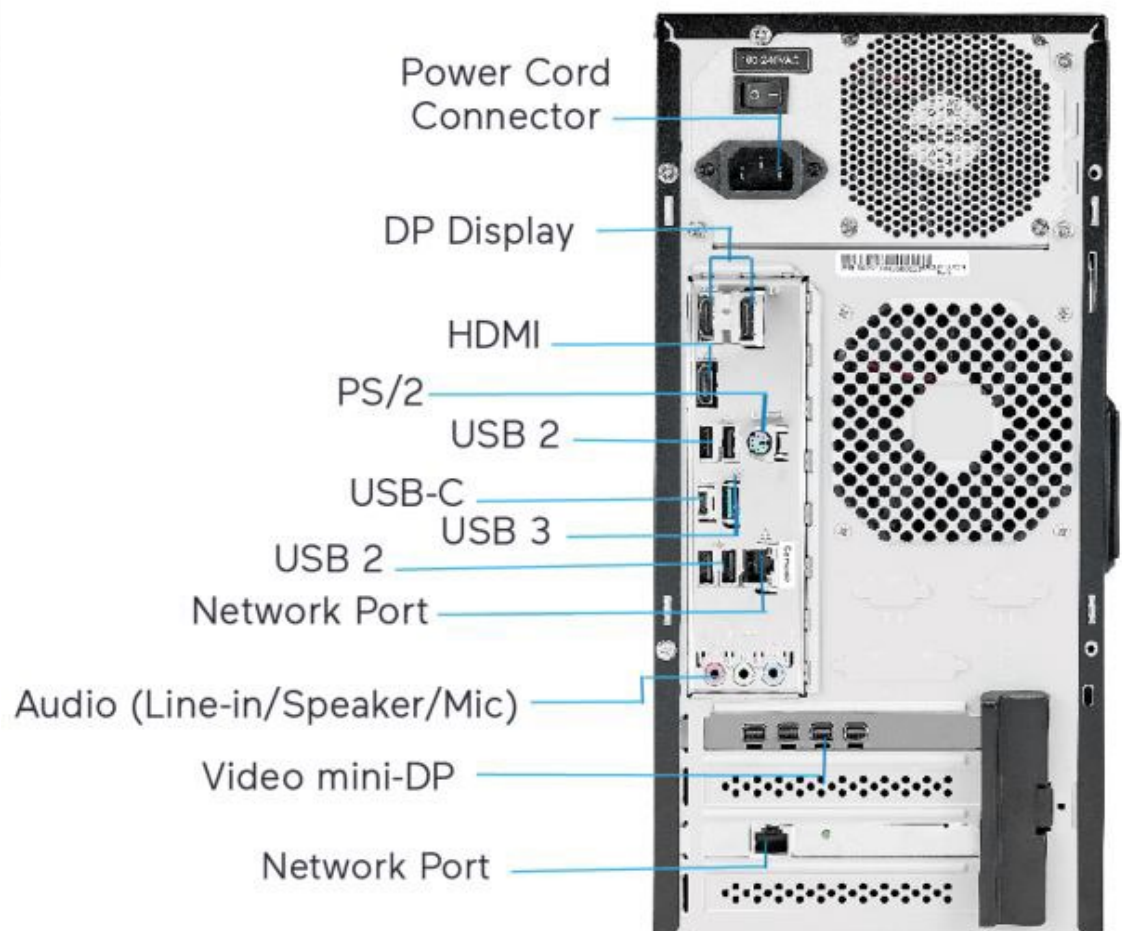


This sheet covers the installation of the Valerus Premier Recording Servers (NVRs) mid-tower models. This system should only be installed by a qualified technician using common hand tools and approved materials in accordance with the National Electrical Code ANSI/NFPA 70, state and local wiring codes.

Front Panel Connections & Controls



Rear Panel Connections & Controls



Unpacking and Installation

Unpack the unit and place it in the mounting location. Hard drives are preinstalled from the factory.

- Keyboard and mouse are included with the unit.
- Connect monitor(s) using the DP and/or HDMI port (refer to figures above). DP to HDMI adapters are included as needed.

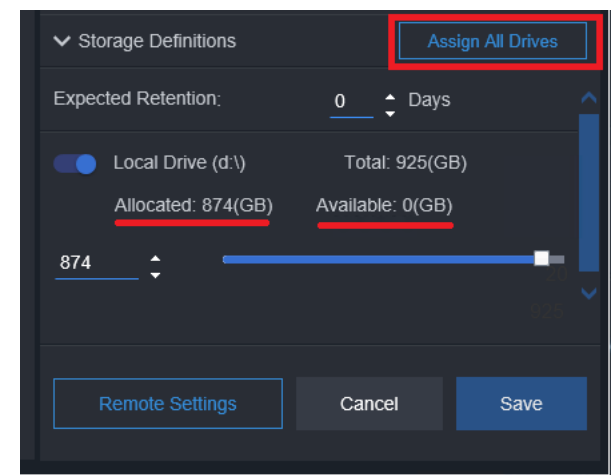
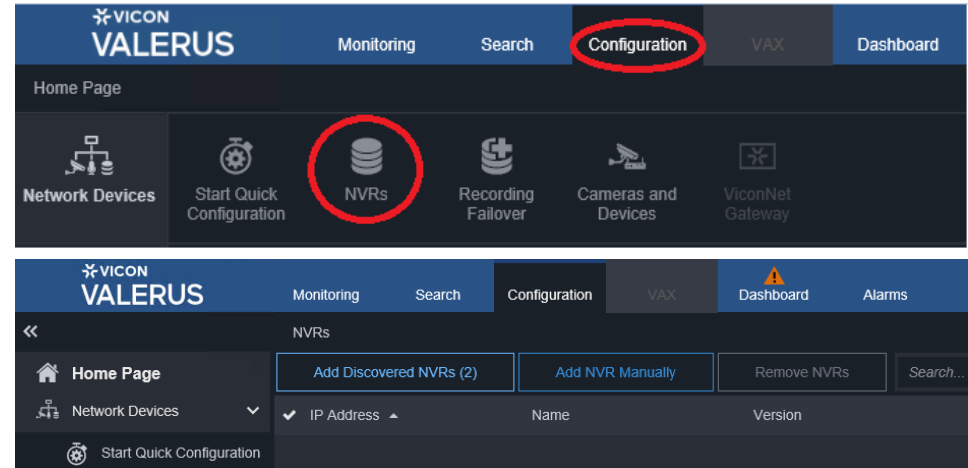
Note: If the system includes the Quad Monitor Support option, connect the monitors using the four (4) mini-DP ports on the add-on card; refer to figure above. Do not connect monitors to the onboard video connectors; use the mini-DP to HDMI adapters provided.

- If the unit is to be part of a network or on the internet, connect it to the network using the WAN (Internet) port. Refer to figure above. The port is setup to procure an IP address automatically using DHCP.
- Attach the power cord and power the unit on. It is recommended to use an Uninterrupted Power Supply (UPS) to prevent data loss/corruption and/or drive failures due to sudden power loss.

This system is configured to be used in a standalone configuration (not part of a network of NVRs managed by a common Application Server) and has both the NVR and Application Server installed and running. If this unit is to be used as an NVR only on a bank of recorders managed by another Application Server, go to the *Reconfigure System for Use as Recording Server Only* section that follows.

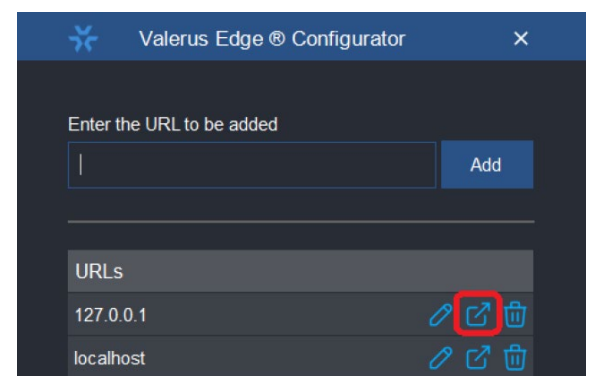
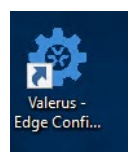
Configure System: Valerus All-in-One Recorder

1. Log into Windows using default credentials (login: VII; password: 1234).
2. Upon login, double click on the Valerus icon to launch the application.
Note: This icon launches Valerus in Internet Explorer®. To launch Valerus using the Microsoft® Edge® browser, refer to the section that follows.
3. Sign into the application using default credentials (login: admin; password: 1234).
Note: For increased security, it is highly recommended to change the credentials upon first login both for Windows and Valerus application.
4. Click on the Configuration tab and then on NVRs.
5. There should be no NVRs attached to the system. Click on "Add Discovered NVRs."
6. All the available NVRs on the network will show up on this screen, including the unconnected network ports on the system. Select the IP address of the desired NVR and then click Apply and close.
7. If the system shows "No Storage settings," assign the storage. On the right bottom side, click on "Assign All Drives." Drive D:\ should be assigned for storage. All space should be allocated and no available space remaining. Click Save.
8. With the NVR added successfully, and the Status OK (green check), the system is ready to add cameras.



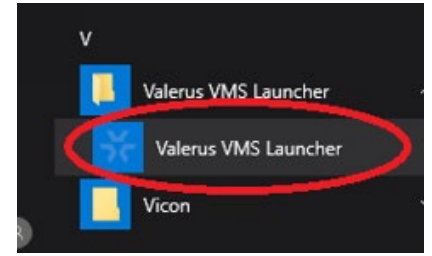
Using Microsoft Edge Browser to Run Valerus

1. Log into Windows using default credentials (login: VII; password: 1234).
Note: For increased security, it is highly recommended to change the credentials upon first login both for Windows and Valerus application.
2. A link to an Edge Installation Tool has been provided on the desktop. Click on the link to launch the tool.
3. The Valerus Edge Configurator screen will display. Add the IP address of the Valerus Application Server to be viewed and click the Add button. A message will display that a restart of the PC is required for changes to take effect. Click OK (just clicking OK will not restart the PC). More addresses can be added as needed. After all IP addresses have been added, restart the PC.
4. Click the create shortcut button (noted in red box) to place a shortcut icon on the desktop. Use this icon to launch Valerus in Edge. Valerus can also be accessed directly from the Edge browser by entering its IP address in the Edge browser; Valerus will launch.
5. Sign into the application using default credentials.



Reconfigure System for Use as Recording Server Only

1. Log into Windows using default credentials (login: VII; password: 1234).
2. From the Start menu, navigate to Valerus VMS Launcher and click on it; this will launch the reconfiguration program.
3. Select "Recording Server" and press "Configure Now." Pop-ups will display indicating Application Server not running, Vicon NVR is not running, and finally, Vicon NVR is up and running. The Valerus icon will also be removed from the desktop. Click "Close." The system is now available to be used as a Recorder only.
4. Connect the WAN port of the system to the network. Note the IP address of the port and connect to this NVR through an Application Server using this port address. While the system is configured for DHCP, you may choose to alter the configuration and use a fixed IP address, as allowed by your network configuration.



Adding Cameras to the NVR

Cameras can be added to the unit using a Network Switch connected to the LAN (Cameras) port like on any other NVR. The LAN port is setup to receive DHCP addressing by default. Fixed IP addressing scheme can also be used on both the LAN port and any IP cameras attached through a switch.

In the Valerus application, go to the Configuration tab and then to "Cameras and Devices." Click on "Add Discovered Devices." All cameras connected to the system will be available here to be added to the NVR. Add them to the NVR and configure them as desired.

Cameras can also be added manually by selecting the "Add Device Manually" option. Additional cameras and System Discovery tools are available in: C:\Vicon\Vicon Discovery Tools

Valerus documentation has been provided on the system. A link is on the desktop. For the most updated documentation on Valerus NVRs, visit Vicon's website at:

[www.viconsecurity.com/products/valerus-vms/.](http://www.viconsecurity.com/products/valerus-vms/)

Valerus Manual



Valerus Performance Guide



Need Support?

Visit vicon-security.com
or call us at 800-34-VICON (800-348-4266)