



- ▶ Hybrid HD analog PTZ dome camera
- ▶ 2 MP resolution (AHD or HD-TVI)
- ▶ Min illumination: Color: 0.35 lux, B/W: 0.013 lux
- ▶ 20X optical zoom and 16X digital zoom
- ▶ True WDR (120 db); true day/night
- ▶ Max 380°/sec speed (preset)
- ▶ 12 VDC; 24 VAC
- ▶ Privacy Masking
- ▶ Alarm In/Out
- ▶ DIS (Digital Image Stabilization)
- ▶ Vicon protocol
- ▶ Composite Video Out + RS-485
- ▶ IP66; IK10; NDAA-compliant

Overview

The V682-PTZ HD analog PTZ dome camera is designed to fit in a wide range of environments. The 4.7-94 mm varifocal lens with an optical 20X zoom provides superb sharpness and excellent sensitivity. The day/night camera utilizes a 1/2.8" Sony STARVIS CMOS sensor, which can provide quality imaging down to 0.013 lux. True Wide Dynamic Range (WDR; 120 dB) improves detail in bright or low light areas of the image and DNR corrects imperfections in the image. For protection against the elements and vandalism, the dome camera is rated IP66 and IK10. The camera also meets the latest regulations to be NDAA approved.

Ordering Information

Resolution	Description	Model Number
2 MP	4.7-94 mm motorized varifocal	V682-PTZ

Accessories	Description	Model Number
Wall Mounts	For installation on a wall	SVFT-UWM-1 SVFT-WM-1
Ceiling Mount	For mounting to a ceiling	SVFT-UCM-1
Parapet Mount	For parapet mounting	SVFT-UPM-2
Corner Mount	For corner mounting a wall mount	V-24CMB-4
Pole Mount Adapter	For pole mounting a wall mount	V-20B-A-4



SVFT-UWM-1



SVFT-WM-1



SVFT-UCM-1



SVFT-UPM-2



V-24CMB-4



V-20B-A-4

Specifications

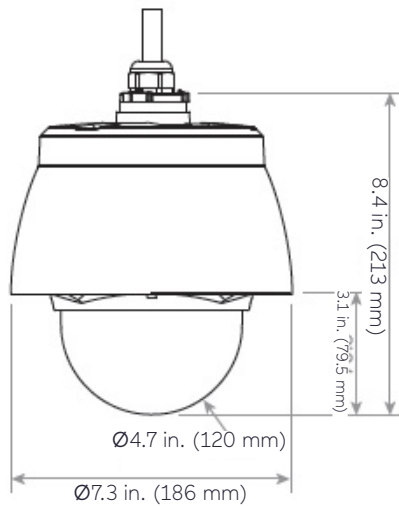
Model	V682-PTZ
Image Sensor:	1/2.8-inch Sony STARVIS CMOS sensor; progressive scan
Max Resolution:	1080p HD-TVI or AHD
Image Settings:	Flip. Configurable brightness, chroma, sharpness. White balance. AES. Automatic or manual day/night mode. 2DNR/3DNR. BLC (Backlight Compensation)/HLC. Digital zoom (16X). Privacy masking (16 zones). Motion setup. Defog. DIS.
Video Content Analysis:	Digital Image Stabilization (DIS); Defog
Electronic Shutter Speed:	30/25 fps: Auto (1/30,000 ~ x8 sec), manual. 60/50 fps: Auto (1/50,000 ~ x8 sec), manual
Electronic Zoom:	16X (client software)
Day/Night Performance:	True day/night (IR cut filter)
Wide Dynamic Range	True WDR (120 dB)
Minimum Illumination:	Color: 0.35 lux; B&W: 0.013 lux @50 IRE.
Presets/Tours/Patterns:	240 presets, 8 tours, 8 patterns
Pan and Tilt Range/ Speed:	Range: Pan: 360° continuous; Tilt: 0 - 180°; Speed: Pan: 380°/sec (preset); Tilt: 380°/sec (preset)
Lens	
Focal Length:	4.7-94 mm (20X)
Max Aperture:	f/1.6 - f/3.0
Iris:	DC autoiris
Zoom/Focus Adjust:	Motorized zoom and focus
Horizontal Field of View:	3° - 55.5°
Video Transmission	
Resolution/Frame Rate:	HD-TVI: 1080p @30/25 fps; 720 @30/25/60/50 fps. AHD: 1080p @30/25 fps
Control:	Coaxial communication RS-485; baud rate 2400 - 38,400 bps (default 9600 bps)
Video Output:	HD-TVI or AHD, composite (NTSC/PAL selectable)
ID (Camera Address):	1-3999
Alarm:	4 input/2 output
Mechanical and Electrical	
PTZ Functions:	Pan Range: 360° continuous Pan Speed: 380°/sec (preset) Tilt Range: 0° - 180° Tilt Speed: 380°/sec (preset) Auto Scan: 1 autopan; 16 auto scans Presets: 240 Tours: 8 Patterns: 8
Construction:	Aluminum base; polycarbonate clear dome; tamperproof screws
Mounting:	A variety of mounting options are available; refer to Model table
Dimensions:	7.3 in. (186 mm) (Diam) x 8.4 in. (213 mm) (H)
Weight:	5.1 lb (2.3 kg)

Specifications

Electrical	
Input Power:	Camera: 12 VDC; 24 VAC. Heater/Fan: 24 VAC.
Current:	Camera: 1 A @12 VDC/24 VAC. Heater/Fan: 1.7 A.
Power Consumption:	Camera: 12 W @12 VDC/24 VAC. Heater/Fan: 45 W.
Controls and Connectors	
Connectors:	Power: terminal block (3-pin); Heater/Fan: terminal block (3-pin); Alarm Input/Output: terminal block; Video HD Output: BNC jack; Video Composite Output: BNC jack. Control: RS-485.

Environmental	
Operating Conditions:	-58 to 131° F (-50 to 55° C) Humidity: up to 90%, non-condensing
Approvals:	FCC Class A, CE, IP66, IK10
Warranty:	3 years
Country of Origin:	Korea

Dimension Drawings [in. (mm)]



Data Sheet Number: V307-10-00
Vicon Data Sheet Number: 8009-7307-10-00

Specifications subject to change without notice.
Vicon and their logos are registered trademarks of Vicon Industries Inc.
Copyright © 2021 Vicon Industries Inc. All rights reserved.