

BIOMETRIC KIOSK

FACIAL RECOGNITION DOOR READER WITH TEMPERATURE DETECTION

V1111-THM-TB



The V1111-THM-TB is an economical multi-purpose biometric device that provides facial recognition as well as non-contact temperature measurement, delivering accurate and fast measurement of a person's body temperature when entering the premises. Combining quick thermal detection of elevated body temperatures with visual detection of faces and conformance to mask wearing requirements, the biometric kiosk is ideal for use in a wide range of applications such as building lobbies and school entrances. The camera meets the latest regulations required to be NDAA approved.

The biometric kiosk can be used as a standalone device or integrates with Vicon's VAX Access Control System as well as other access control systems. The device can be used as a reader to allow or deny access based on face recognition, mask wearing or temperature measurement; additionally it can be used in conjunction with a card reader, creating a dual credential access. For face detection, an integrated 2 MP camera provides high image quality, with true WDR (120 dB Wide Dynamic Range). It offers a long measuring distance and a short response time, with an amazingly high face recognition rate in less than 0.2 seconds, even with faces wearing a mask, effectively avoiding face spoofing. The biometric kiosk can be configured for standalone operation with onboard facial recognition and authentication or using VTS software; the software is included with the kiosk and can be added to an existing PC.

An AI algorithm provides automatic detection and positioning on the forehead. Both Fahrenheit and Celsius measurements are supported. The infrared thermal camera provides for the contactless measurement of people as they enter a facility, providing an immediate notification and customizable audible warning when a high temperature is detected. The face and temperature are displayed on the camera screen.

The biometric kiosk is supplied with one wall bracket and one pendant/ceiling mount for mounting the camera, providing flexible mounting options. Additionally, floor stands and table-top mounts are available.

DISCLAIMER: The V1111-THM-TB Biometric Kiosk is a screening device and is not intended for use in the detection or diagnosis of any disease and, as such, is not an FDA approved medical device. Subjects that have elevated body temperatures detected by the kiosk should be subject to secondary evaluation methods, including NCIT or clinical grade contact thermometer.

Product at a Glance

- ▶ Standalone or integrated VAX Access Control operation
- ▶ Facial recognition with Wiegand credentials
- ▶ Mask detection and abnormal temperature alarming with customizable audio and visual messages
- ▶ Face database of 30,000 records and storage of 60,000 events
- ▶ $\pm 0.9^{\circ}$ F ($\pm 0.5^{\circ}$ C) measuring temperature detection accuracy
- ▶ Thermal response time of ≤ 100 milliseconds
- ▶ Thermal imager resolution 120x90
- ▶ Integrated 1080p camera with 120 dB WDR
- ▶ 7-inch display with 1024x600 resolution
- ▶ Temperature Display Overlay with alarm notification
- ▶ Simple snapshots can be created in standalone software
- ▶ 3 alarm inputs, 1 alarm output
- ▶ Powered by 12 VDC
- ▶ Multiple mounting options
- ▶ NDAA compliant

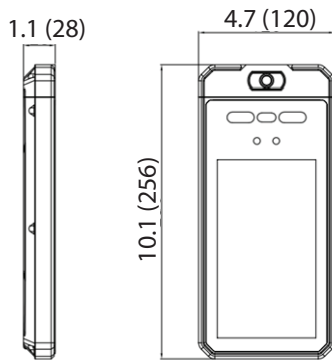
Specifications

Model	V1111-THM-TB
Temperature Measurement - Thermal	
Sensor:	Uncooled Microbolometer
Temperature Measuring Range:	86° - 113° F (30° - 45° C). Temperature Alarm for over temperature and temperature difference.
Thermal Image Resolution:	120 (H) x 90 (V)
Accuracy:	Measurement: $\pm 0.9^\circ$ F ($\pm 0.5^\circ$ C). Display: $\pm 0.18^\circ$ F ($\pm 0.1^\circ$ C).
Measuring Distance:	1.64 - 3.94 ft (0.5 - 1.2 m)
Response Speed:	≤ 100 ms
Facial Recognition - Camera	
Image Sensor:	1/2.8" 2 MP progressive scan Sony CMOS
Image Settings:	Configurable brightness, sharpness, contrast, saturation
Min. Illumination:	BW: 0.01 lux
Light Compensation:	Auto white light; auto IR light (850 nm)
Wide Dynamic Range:	True WDR; 120 dB
Lens:	Dual lens provides color image and B/W (near IR) for biometric/facial analysis
Focal Length:	2.3 mm, f/1.1
Angle of View:	50°
Face Recognition:	Distance: 0.98 - 6.56 ft (0.3 - 2.0 m). Accuracy: $\geq 99.8\%$. Time: < 0.2 s.
Capacity:	Face Image: 30,000. Record: 60,000 events.
Display	
Display Screen:	7-inch
Display Resolution:	1024 (H) x 600 (V)
Authentication Mode:	Face; Body temperature; Mask detection
Network Video Transmission	
Network:	10/100 Base-T Ethernet; RJ-45
Image Compression:	H.265
Video Streaming:	1920x1080
Max. Frame Rate:	Up to 30/25 fps
Max. User Access:	Up to 8 users
Protocols:	IPv4, TCP/UDP, RTP/RTSP/RTCP, SMTP, HTTP, MQTT, DHCP, DNS
Web Browser:	Internet Explorer® 11 or above; Chrome; Firefox
Security:	User security authentication (password)
Mechanical	
Construction:	Metal
Mounting:	Standard 1/4"-20 threaded interface. Wall and pendant/ceiling mount included. Mounting stands available.
Connectors and Reset:	Network: RJ-45. Alarm In/Out: terminal block. Power: connector for 12 VDC power supply. Reset to default button. Wiegand I/O: terminal block. USB. Gate (door locking signal): terminal block.
Alarms:	3 alarm inputs/1 alarm output
Wiegand:	Input/Output
Door Lock:	Access Control port
USB:	For future use
Audio Output:	Pre-recorded or user customized audio message for face, mask, temperature and access functions
Dimensions:	Depth: 1.1 in. (28 mm); Width: 4.7 in. (120 mm); Height: 10.1 in. (256 mm)
Weight:	2.2 lb (1 kg)
Operational	
Software:	VTS software or standalone
Integration:	VAX Access control via Wiegand output and contact closure

Specifications

Electrical	
Input Voltage:	12 VDC
Current:	2 A
Power Consumption:	8 W max
Environmental	
Operating Conditions:	Temp: 32 to 122° F (0 to 50° C) Humidity: 0% - 90%, non-condensing
Approvals:	FCC; CE
Country of Origin:	China
Warranty:	2 years

Dimension Drawings [in. (mm)]



Product Descriptions

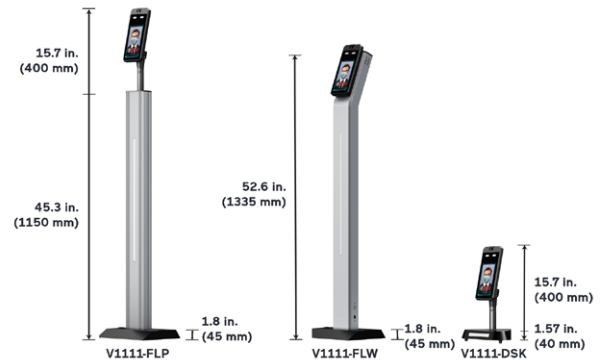
Description	Environment	Model Number
Biometric Door Kiosk	Indoor	V1111-THM-TB
Mounting Accessories		
Wall mount (1 included)	Indoor	V1111-WM
Pendant/Ceiling mount (1 included)	Indoor	V1111-PM
Desk mount	Indoor	V1111-DSK
Floor Stand (for wall mount)	Indoor	V1111-FLW
Floor Stand (for pendant/ceiling mount; tilt angle adjustable)	Indoor	V1111-FLP



Connection Diagram



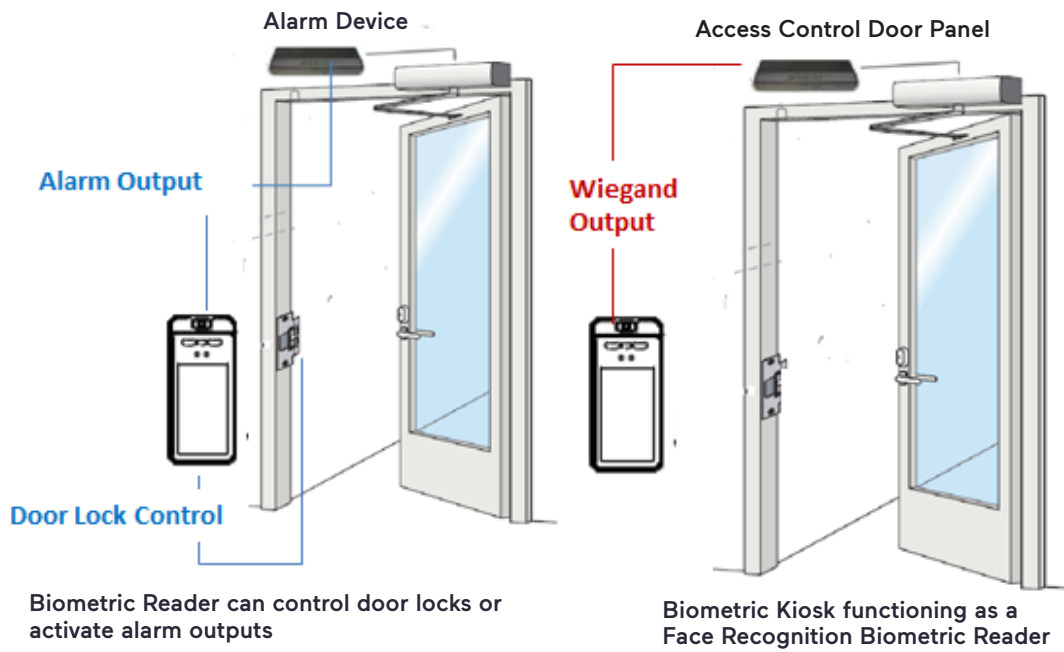
Dimensions for Mounts



Data Sheet Number: V300-30-00
Vicon Data Sheet Number: 8009-7300-30-00

Specifications subject to change without notice.
Vicon and their logos are registered trademarks of Vicon Industries Inc.
Copyright © 2021 Vicon Industries Inc. All rights reserved.

Internet Explorer is a registered trademark of Microsoft Corporation.
Chrome is a registered trademark of Google LLC.
Firefox is a registered trademark of Mozilla Corp.



Typical Access Control Setups