



V2000D-PTZ

Roughneck Series Outdoor Network PTZ Dome Cameras



Overview

Available in 2 MP or 5 MP, Vicon's Roughneck® V2000D-PTZ Series features advanced imaging and advanced analytics in a durable package. This powerful camera delivers exceptional views with a powerful 30x optical/8x digital zoom along with a motorized focus and autoiris lens. It's rated for IP66 and housing is IK10 rated (lens cover is IK07) to withstand any type of environment.

The V2000D-PTZ series is engineered to deliver clear images day or night. True WDR ensures the camera can overcome high-contrast lighting conditions during the day, while adaptive IR prevents overexposure and uneven views in darkness. Additionally, the camera includes Starlight low-light imaging to capture clear, color footage in extremely low light scenes. This helps operators see critical forensic details, such as vehicle or clothing color, when traditional cameras would show black-and-white IR images.

This PTZ camera offers both H.264 and H.265 compression and smart encoding technology to reduce bandwidth and storage without sacrificing quality. It also offers our advanced analytics package for proactive surveillance and automatic alerts. The camera meets the latest regulations required to be NDAA approved. Several mounting options are available; refer to Ordering Information.

Product at a Glance

- ▶ 2 MP and 5 MP resolution models
- ▶ Starlight low-light imaging
- ▶ H.265/H.264
- ▶ Advanced analytics
- ▶ True WDR (120 dB); built-in varifocal autoiris lens
- ▶ 30X optical zoom; 8X digital zoom
- ▶ PoE++; 24 VAC; 48 VDC
- ▶ Triple streaming video
- ▶ Two-way audio; two alarm inputs/alarm outputs
- ▶ Heater/blower system for temperature control
- ▶ IP66 and IK10 (housing) rated
- ▶ Supports local recording to SDHC/SDXC card
- ▶ ONVIF (Profile S/G/Q/T) interface provides inter-operability with open platform solutions
- ▶ NDAA/GSA/TAA compliant

Specifications

Model	V2002D-PTZ	V2005D-PTZ
Image Sensor:	1/2.8 inch Sony	
Max Resolution:	2 MP (1080p)	5 MP
Image Settings:	Digital image effects: defog, flip and mirror. Configurable brightness, contrast, saturation, hue, sharpness. White balance. Backlight Compensation (BLC). HLC. Gain control. Gamma correction. Electronic shutter speed. Day/night mode. Dynamic Noise Reduction (3 DNR). Motion detection (4 programmable zones). Privacy masking (8 masks). Dynamic ROI. Event notification. Electronic Image Stabilization (EIS).	
Intelligent Video Analytics:	5 profile/presets: Motion, Tampering/Defocus, Intrusion, Loitering, Line Cross/Counting, Object Left/Removed, Area Counting, Wrong Direction. Museum Search.	
Electronic Shutter Speed:	1/30 ~ 1/10,000 sec	
Day/Night Performance:	True day/night (IR cut filter)	
Wide Dynamic Range (WDR):	True WDR (120 dB)	
Minimum Illumination:	Color: 0.007 lux; B/W: 0.002 lux	Color: 0.03 lux; B/W: 0.01 lux
IR Distance:	Adaptive IR; Smart IR (Automatic): 492 ft (150 m)	
Lenses		
Focal Length:	4.5 - 135 mm (30X optical zoom); digital 8X	5.2 - 148 mm (30X optical zoom); digital 8X
Max. Aperture:	f/1.6 - f/4.4	f/1.3 - f/4.8
Iris:	Autoiris	
Zoom/Focus Adjust:	Motorized focus and zoom	
Field of View:	5° - 60° (H); 3° - 38° (V)	2.14° - 58.1° (H); 1.2° - 33.8° (V)
Network Video Transmission		
Network:	10Base-T, 100Base-TX, RJ-45	
Image Compression:	H.265/H.264 and M-JPEG	
Resolution:	1920×1080 (1080P), 1280×960/720, 800×600, 640×480, 640×360, 320×240	2592×1944/1520, 2560×1440, 2048×1536, 2304×1296, 1920×1080 (1080P), 1600×1200, 1440×1080, 1600×900, 1280×960/720, 800×600, 640×480, 640×360, 320×240
Protocol:	ARP, DHCP, DNS, FTP, HTTP, HTTPS, HLS, ICMP, IGMP, IPv4/6, LDAP, NTP, RTSP/RTCP/RTP, RTMP, QoS, SMTP, SNMP v1/2c/3, TCP, TLS/TTLS, UDP, UPnP, 802.1X, UPnP, Bonjour, DDNS, PPPoE; ONVIF S/G/Q/T	
Frame Rate:	Max. 30 fps (25 fps, PAL)	
Streams:	Triple streaming. Single: 2 MP@30fps; Dual: 2 MP@30fps + 720p@15fps; Triple: 2 MP@30fps + 720@15fps +VGA @30fps	Triple streaming. Single: 5 MP@30fps; Dual: 5 MP@30fps + 5 MP@10fps; Triple: 5 MP@30fps + 5 MP@10fps + 640×480@30fps
Users:	Live viewing for up to 10 clients	
Web Browser:	Internet Explorer®, Safari®, Firefox®, Google Chrome®, Microsoft® Edge	
Security:	IP address filtering, HTTPS encrypted data transmission, SSL, IEEE 802.1X, Digest Authentication, Advanced Security	
Local Recording:	Micro-SD slot provided; customer supplied SDHC/SDXC card	
Mechanical		
Construction:	Aluminum base; polycarbonate dome bubble	
Pan Range:	360° continuous pan	
Pan Speed:	300°/second maximum	
Tilt Range:	95° (-15° to 90°)	
Tilt Speed:	160°/second maximum	
Presets:	128	
Tours/Pattern:	4/4	
Alarm:	2 alarm inputs; 2 alarm output	
Audio Capability:	Two-way audio; G.711 compression	
Mounting:	Mounting accessories available. Refer to Ordering Information	
Dimensions:	7.5 in. (190 mm) (Diam) x 13.2 in. (336 mm) (H); refer to dimensional diagram	
Weight:	11.5 lb (5.2 kg)	

Specifications

Model	V2000D-PTZ
Electrical	
Input Power:	PoE++ (IEEE 802.3bt, Class 7); 24 VAC (+20%/-10%); 48 VDC (±10%)
Current (IR on):	2.5 A @24 VAC; 1.25 A @48 VDC
Power Consumption:	Total Power: 48 W. PTZ Camera: 11 W; Pan/Tilt Function: 12 W; IR: 19 W; Heater: 5.5 W; Blower: 0.9 W. Note that blower is always on; heater turns on when temperature is lower than 59° F (15° C)
Controls and Connectors	
Indicators and Connectors:	Power: 24 VAC/48 VDC: terminal block. Network/PoE: RJ-45 CAT 5. Audio In/Out and Alarm In/Out: screw terminal. SDHC/SDXC Card Slot. Reset button. Default button. Indicators: green LED flashes for booting and software updating
Environmental	
Operating Conditions:	Temp: -40° to 140° F (-40° to 60° C) Humidity: up to 90%, relative, non-condensing Limitations in certain weather conditions, including blizzard conditions and freezing rain with high winds.
Approvals:	UL; FCC Class A; CE; IP66; IK10 (housing)/IK07 (lens cover); RoHS
Country of Origin:	Taiwan
Warranty:	5 years

Ordering Information

Model Number	Description
V2002D-PTZ	2 MP PTZ dome camera
V2005D-PTZ	5 MP PTZ dome camera
Mounting Accessories	
SVFT-UWM-1/ SVFT-WM-1	Wall Mounts; for installation on a wall
SVFT-UCM-1	Ceiling Mount; for mounting to a ceiling
SVFT-UPM-2	Parapet Mount; for parapet mounting
V-24CMB-4	Corner Mount; for corner mounting a wall mount
V-20B-A-4	Pole Mount Adapter; for pole mounting a wall mount
VPOE-INJ-60BT	Single-port PoE gigabit injector; compatible with IEEE802.3bt; 60 W output; NDAA/TAA compliant
VPOE-INJ-90BT	Single-port PoE gigabit injector; compatible with IEEE802.3bt; 90 W output; NDAA compliant



SVFT-UWM-1



SVFT-WM-1



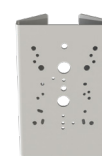
SVFT-UCM-1



SVFT-UPM-2



V-24CMB-4



V-20B-A-4

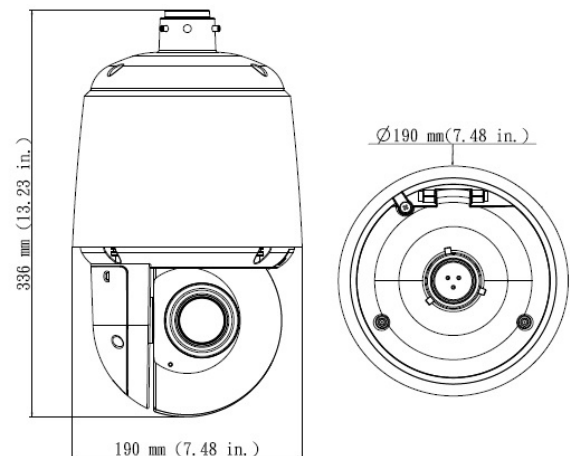


VPOE-INJ-60BT



VPOE-INJ-90BT

Dimensional Drawing [mm (in.)]



Data Sheet Number: V320-20-00

Vicon Data Sheet Number: 8009-7320-20-00

Specifications subject to change without notice.

Vicon and their logos are registered trademarks of Vicon Industries Inc.

Copyright © 2022 Vicon Industries Inc. All rights reserved.

Explorer is a registered trademark of Microsoft Corporation.

Chrome is a registered trademark of Google LLC.

Firefox is a registered trademark of Mozilla Corp.

Safari is a registered trademark of Apple Inc.