

Pendant Mount

V2000D-PM

For V2000D Vandal Domes, V2360W

Panoramic & V2100D Dome Cameras

Quick Guide

1. Product Overview

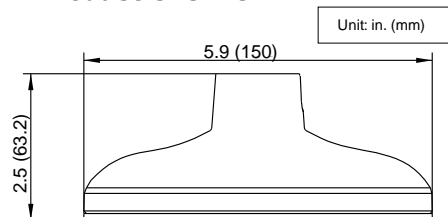


FIGURE 1-1: PHYSICAL DIMENSIONS

Screw Types & Hole Pattern Instruction

Since the pendant mount supports multiple devices mounting, it is recommended to review the following diagram carefully, which depicts different screw types and hole patterns for each device, prior to installation.

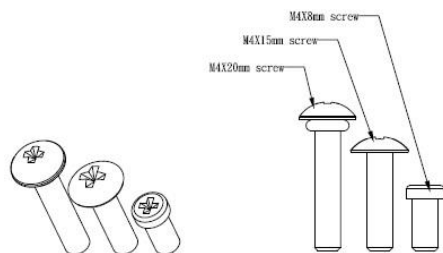
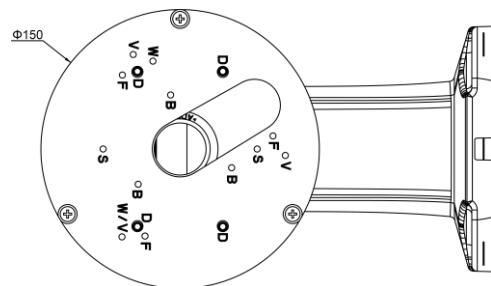


FIGURE 1-2: SCREW TYPES ILLUSTRATION



D: For V2000D Dome
 D: For V2360W Panoramic
 W: For V2000D Micro-Dome
 V: For V2100D Dome

FIGURE 1-3: HOLE PATTERN ILLUSTRATION

2. Installation and Mounting

Package Content

Check if all items listed below are included in the packing box.

- One pendant mount
- One printed quick guide
- Four M4X20mm screws (for V2000D Dome)
- Four M4X15mm screws (for V2360W Panoramic)
- Three M4X8mm screws (for V2100D Dome)
- Three M4X8mm screws (for V2000D Micro-Dome)

Installation & Mounting Procedure

1. Pass the cable through the wall mount bracket and then through the conduit adaptor attached to the dome pad; seal the thread of the conduit adaptor with waterproof tape.

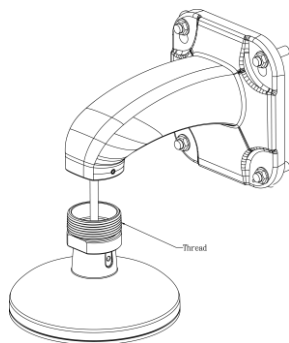


FIGURE 2-1: PASS CABLE AND SEAL THREADS WITH WATERPROOF TAPE

2. Rotate the conduit adaptor to connect with wall mount bracket, and then thread the cable through the dome pad, as shown in figure below.

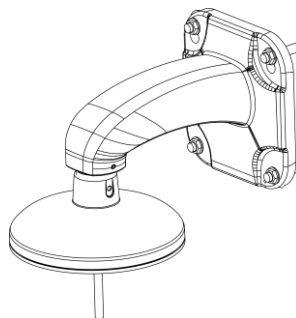


FIGURE 2-2: ASSEMBLE THE PENDANT MOUNT WITH WALL MOUNT BRACKET

3. Mounting Procedure

For V2000D Vandal Dome Cameras

1. When installing the camera dome directly to a surface, before securing the bottom case on the dome pad, remove the 4 waterproof rubber plugs at the bottom of bottom case. **Note: If not installing directly to a surface, do NOT remove the small black plugs from the mounting holes. When putting the screw through the mounting hole, the plugs will pop out and this maintains the waterproof protection.**

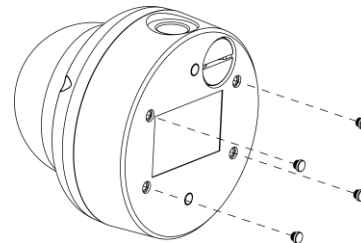


FIGURE 3-1: REMOVE WATERPROOF RUBBER SEALS

2. Fasten the bottom case to the pendant mount via securing the 4 M4X0.7P 20mm screws firmly. Then assemble the rest of the camera parts, including the lens base and the camera housing in proper order.



FIGURE 3-2: SECURE VANDAL DOME CAMERA ON THE BRACKET

3. After assembling the camera and threading required cables, installation of the vandal dome camera attached to the wall mount is complete.

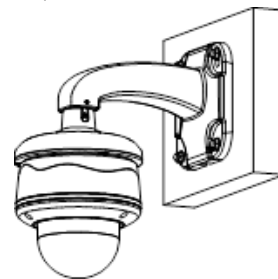


FIGURE 3-3: MOUNTING COMPLETE FOR VANDAL CAMERA

For V2360W Panoramic Camera

1. Secure the bracket on the rear of pendant mount by fastening with 4 M4X0.7P 15mm screws.

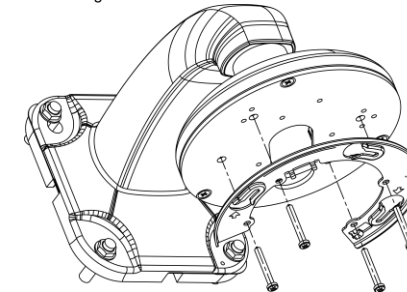


FIGURE 3-4: SECURE BRACKET ON PENDANT MOUNT

2. Connect the cable on the panoramic camera, and then rotate the camera to secure the screw on the bracket. Next, rotate the T10 screw on the panoramic camera counterclockwise to make sure the panoramic camera does not rotate out.

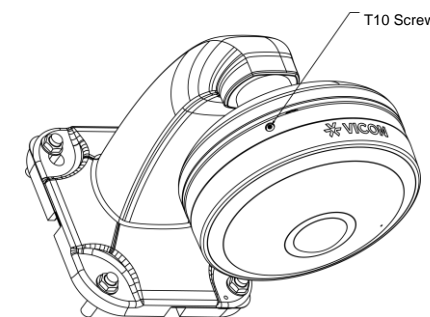


FIGURE 3-5: SECURE PANORAMIC CAMERA ON PENDANT MOUNT

For V2100D Dome Camera

1. Connect the cable on the dome camera and use waterproof tape to seal the cable. Secure the bottom case on the rear of the pendant mount with the 3 M4X0.7P 8mm screws.

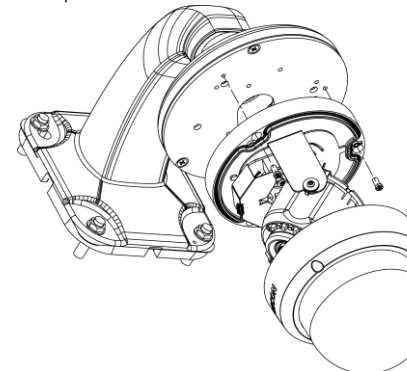


FIGURE 3-6: SECURE BOTTOM CASE ON PENDANT MOUNT

- Assemble the parts of the camera in the proper order, including the camera housing, as in the following figure.

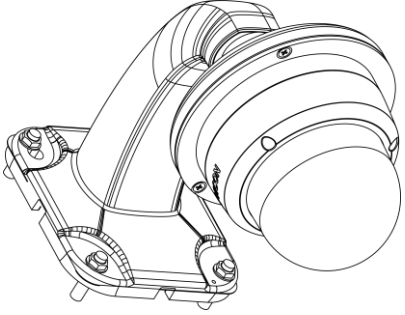
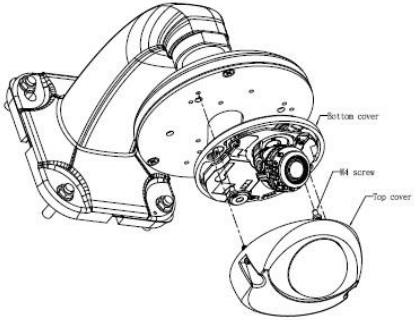


FIGURE 3-7: SECURE DOME ON PENDANT MOUNT

For V2000D Micro Dome Cameras

- Open the top cover of the micro dome and fasten the bottom cover to the pendant mount via securing the 2 M4X0.7P 8mm screws firmly.



- Then assemble the rest of the camera parts, including the lens base and the camera housing in proper order.

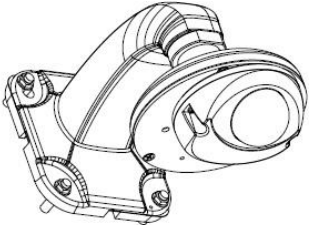


FIGURE 3-8 MOUNTING COMPLETE

Note & Warning

- For waterproof function, the entire portion of the spiral teeth of the conduit adaptor must be applied with the sealant. This will prevent rain or liquid from leaking through the conduit.
- The holes on the wall mount are of diameter ϕ 10 mm. Use anchors of ϕ 8-9mm and make sure the drilled holes are of correct size to ensure proper installation.
- When drilling the holes, make sure the wall/surface thickness is greater than 50mm in order to maintain its structural integrity.
- Make sure there are no damaged parts prior to assembly.

4. Specification

Material	Aluminum
Color	Pearl white (RAL 9003)
Dimensions (DiamxH)	ϕ 5.9x2.5 in. (ϕ 150x63.2 mm)
Weight	0.66 lb (0.3 kg)

Product specifications subject to change without notice.
Vicon part number: 8009-8318-95-00 10/2020

Copyright ©2020 Vicon Industries Inc. All rights reserved