



Product at a Glance

- ▶ 2 MP and 5 MP models
- ▶ True WDR (120 dB)
- ▶ H.265/H.264 compression; M-JPEG compression
- ▶ 98 ft/30 m IR range; Smart IR
- ▶ Motorized zoom and focus varifocal lens
- ▶ Triple streaming
- ▶ Smart Encoding
- ▶ Power-over-Ethernet (PoE); 12 VDC
- ▶ SD card slot for on-camera storage
- ▶ IP67 rated for outdoor environments
- ▶ IK08 rated for impact protection
- ▶ NDAA/GSA/TAA compliant; ONVIF S/T/G/Q
- ▶ Surface mounting on wall or ceiling

Overview

Vicon's Roughneck® V2100B Series of HD IP Bullet Cameras is designed for performance in the most demanding security installations. There are 2 MP and 5 MP models with a motorized varifocal autoiris lens.

The V2100B Series provides triple streaming video and supports H.264/H.265 compression technology, significantly reducing file sizes and conserving valuable network bandwidth. Smart encoding effectively enhances video encoding efficiency and further reduces transmission rate and improves storage capacity.

The bullet camera is designed for easy installation. Power over Ethernet (IEEE 802.3af) eliminates the need for power cables, providing a cost-effective method of installation. The camera also accepts 12 VDC. The bullet camera can be mounted on a wall or ceiling using the integral wall mount that allows adjustment for the angle of view. Refer to Ordering Information for details on accessories and other mounting options.

In order to adapt to constantly changing outdoor lighting conditions, the V2100B Series features an autoiris lens that maintains picture quality under changing lighting conditions. The true day/night progressive scan camera also includes a removable IR cut filter for superior image quality in all lighting conditions. True Wide Dynamic Range (120 dB) further improves video exposure quality in scenes with high contrast between bright and dark areas. Smart IR adjusts the intensity of the camera's infrared LEDs to compensate for the distance of an object.

For protection against the elements, the bullet camera is IP67 rated with a IK08 vandal-proof casing to withstand rain, dust, and vandalism. The camera meets the latest regulations required to be NDAA, GSA schedule and TAA approved and support ONVIF profiles S/T/G/Q.



The camera can be used with Vicon Valerus™ as well as many other popular VMS systems; each VMS may support different camera functions.

Specifications

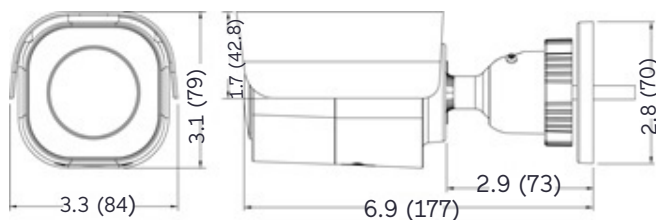
Model	V2102B-W313MIR	V2105B-W313MIR
Image Sensor:	1/2.8-in.	
Max Resolution:	1920 x 1080 (1080p)	2592x1944 (5 MP)
Image Settings:	Digital image effects: flip, and mirror and corridor. Configurable brightness, contrast, saturation, hue, sharpness. White balance. Backlight Compensation (BLC). HLC. Gain control. Gamma correction. Electronic shutter speed. Day/night mode. Dynamic Noise Reduction. Motion detection (4 programmable zones). Privacy masking (8 masks). Dynamic ROI. Digital zoom. Event notification.	
Video Content Analysis (VCA):	Motion, Tampering/Defocus. Museum Search.	
Electronic Shutter Speed:	Auto (1/2 ~ 1/10,000 sec), manual	
Day/Night Performance:	True day/night (IR cut filter)	
Wide Dynamic Range	True WDR; 120 dB	
Minimum Illumination (@ 30 IRE):	Color: 0.015 lux; BW: 0.01 lux, IR Off; 0 lux, IR On	Color: 0.05 lux; BW: 0.03 lux, IR Off; 0 lux, IR On
IR Distance:	Smart/Adjustable IR. 98 ft (30 m) (850 nm); 16 IR LEDs	
Lenses		
Focal Length:	3.1-10 mm; 3.2X optical zoom	
Max. Aperture:	f/1.4-f/2.8	
Iris:	DC autoiris	
Zoom/Focus Adjust:	Motorized zoom and focus	
Field of View: Horizontal/Vertical/Depth	34° (tele) - 102° (wide)/20° (tele) - 54° (wide)/ 40° (tele) - 118° (wide)	32° (tele) - 96° (wide)/24° (tele) - 69 (wide)/ 40° (tele) - 124° (wide)
Network Video Transmission		
Network:	10/100Base-T/TX: RJ-45	
Image Compression:	H.264; H.265; M-JPEG	
Resolution:	2 MP: 1920x1080 (1080P), 1280x960/720, 800x600, 640x480 5 MP: 2592x1944/1520, 2048x1536, 1920x1080 (1080P), 1280x960/720, 800x600, 640x480	
Protocol:	ARP, DHCP, DNS, FTP, HTTP, HTTPS, HLS, ICMP, IGMP, IPv4/6, LDAP, NTP, RTSP/RTCP/RTP, RTMP, QoS, SMTP, SNMP v1/2c/3, TCP, TLS/TTLS, UDP, UPnP, 802.1X, UPnP, Bonjour, DDNS, PPPoE; ONVIF Profile S/T/G/Q	
Frame Rate:	30/25 fps max.	
Streams:	Triple streaming. 2 MP: Single: 2 MP@30fps; Dual: 2 MP@30fps + 2 MP@30fps; Triple: 2 MP@30fps + 2 MP@30fps + 1280 x 720@30 fps 5 MP: Single: 5 MP@30fps; Dual: 5 MP@30fps + 640x480@30fps; Triple: 5 MP@30fps + 640x480@30fps + 640 x 480@30 fps	
Users:	Live: 10 users	
Web Browser:	Internet Explorer 11®; Chrome®, Safari®, Firefox®, Microsoft® Edge	
Security:	IP address filtering, HTTPS encrypted data transmission, SSL, IEEE 802.1X, Digest Authentication, Advanced Security	

Specifications

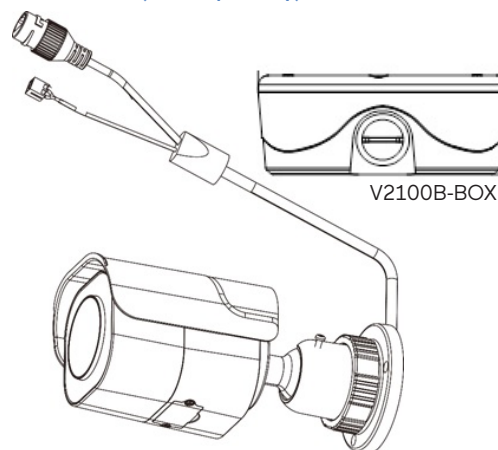
Mechanical	
Construction:	Camera case: white aluminum. Window: double glass/polycarbonate. Bracket: PC + ABS.
Camera Angle of Adjustment:	Adjusted using integral wall mount. Mechanical camera adjustment pan/tilt.
Mounting:	Surface mount, wall or ceiling
Dimensions:	3.3 in. (84 mm) (W) x 3.1 in. (79 mm) (H) x 6.9 in. (177 mm) (L)
Weight:	2 lb (0.9 kg)
Electrical	
Input Power:	PoE IEEE 802.3af class 3; 12 VDC (±10%)
Current:	12 VDC: 0.63 A; PoE: 0.16 A
Power Consumption:	IR On: 7.6 W; IR Off: 5.2 W
Controls and Connectors	
Connectors:	Pigtail cable provided; optional backbox required for cabling. Power: 12 VDC: terminal block; PoE/Network: RJ-45 CAT 5; Reset button; Default button; Micro SD card slot for SDHC/SDXC card (128 G max; customer-supplied)
Environmental	
Operating Conditions:	Outdoor rated Temp: -22° to 140° F (-30° to 60° C) Humidity: up to 90%, non-condensing
Approvals:	UL, FCC Class A, CE, IP67, IK08; ONVIF Profile S/T/G/Q, RoHS
Country of Origin:	Taiwan
Warranty:	5 years

Ordering Information		
Resolution	Lens	Model Number
2 MP	3.1-10 mm motorized zoom and focus; autoiris	V2102B-W313MIR
5 MP	3.1-10 mm motorized zoom and focus; autoiris	V2105B-W313MIR
Accessories		
Adapter Plate	Allows the V2100B to be mounted on a 4x4 electrical box	V2100B-PLATE 
Backbox	For ease of cabling; compatible with V-24CMB-4 corner mount and V-20B-A-4 pole mount adapter	V2100B-BOX 

Dimension Drawing [in. (mm)]



Pigtail Cable: Use optional V2100B-BOX (sold separately)



Data Sheet Number: V318-00-06
Vicon Data Sheet Number: 8009-7318-00-06

Specifications subject to change without notice.
Vicon, Roughneck and their logos are registered trademarks of Vicon Industries Inc.
Copyright © 2022 Vicon Industries Inc. All rights reserved.

Explorer is a registered trademark of Microsoft Corporation.
Chrome is a registered trademark of Google LLC.
Firefox is a registered trademark of Mozilla Corp.
Safari is a registered trademark of Apple Inc.

