



Product at a Glance

- ▶ 4K/8 MP resolution @30 fps
- ▶ H.265/H.264
- ▶ True WDR (120 dB); day/night camera with a built-in varifocal 30x optical zoom autoiris lens
- ▶ Synchronized IR illuminators with 1312 ft (400 m) range
- ▶ Advanced Edge Analytics (VCA); Museum Search
- ▶ 12 VDC and UPoE (PoE injector included)
- ▶ Quad streaming video
- ▶ Two-way audio
- ▶ Rugged construction for harsh indoor or outdoor environments, IP66 and IK10 rated
- ▶ 16 programmable privacy masks
- ▶ Supports local recording to SDHC/SDXC card
- ▶ ONVIF (Profile S) interface provides interoperability with open platform solutions

Overview

Vicon's SN688D-WIR HD Network Dome Camera is designed for performance in the most demanding security installations. It provides extreme detail for locations that require large area coverage, including campuses, airports, malls and hospitals. The 4K (8 megapixel) pan, tilt, zoom (PTZ) camera has an integral 30x optical zoom lens (6 mm to 180 mm) and integrated IR LEDs provide illumination up to a range of 1312 feet (400 meters).

The SN688D-WIR provides quad streaming video and supports H.265/H.264 compression technology, drastically reducing file sizes and conserving valuable network bandwidth. Users can receive multiple streams simultaneously in different resolutions, frame rates and image qualities for viewing on different platforms. An SD memory slot is provided for local recording with removable storage.

The camera can be powered with 12 VDC or UPoE (28 W). A PoE injector is included with the camera for easy installation. The SN688D-WIR can be mounted on a wall or ceiling using mounting accessories for pendant mounting. The camera can be tilted to 10 degrees above the horizon.

In order to adapt to constantly changing outdoor lighting conditions, the SN688D-WIR features an autoiris lens that maintains proper light levels to provide the best video quality under diverse and changing lighting conditions. The true day/night camera also includes a removable IR cut filter for superior image quality around the clock. True Wide Dynamic Range (WDR) image processing further improves video exposure quality in scenes with high contrast between bright and dark areas. Synchronized IR LED lighting automatically adjusts intensity with the optical zoom of the lens.

For protection against the elements, the camera dome is IP66 rated with a vandal-proof casing to withstand rain, dust, and vandalism; it is also IK10 rated for impact protection. The unit is secured by tamperproof screws.

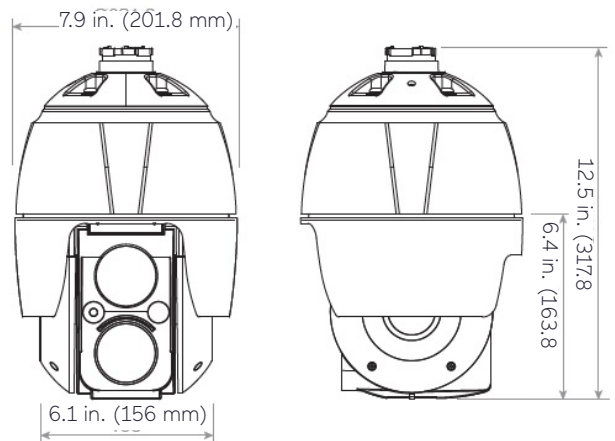
SPECIFICATIONS

Model	SN688D-WIR
Image Sensor:	1/1.7-inch progressive scan Sony Starvis CMOS
Max Resolution:	4K/8MP
Image Settings:	Dynamic adjustable bit rate. Digital image effects: flip; defog. Configurable brightness, contrast, high sensitivity. White balance. Digital zoom. Exposure control. Electronic shutter speed. Day/night mode. Dynamic Noise Reduction (2DNR/3DNR). Motion detection (16 zones). Privacy masking (16 zones). Event notification.
Video Content Analysis (VCA):	Advanced Edged Analytics: Tampering, Intrusion Detection, Intelligent Motion, Line Cross/Counter, Loitering, Object Left/Removed, Wrong Direction, Crowd Detection, Face Detection. Classification Filter for applicable - Human, Vehicle Museum Search. Defog.
Electronic Shutter Speed:	1 ~ 1/10,000 sec
Day/Night Performance:	True day/night (IR cut filter)
Wide Dynamic Range (WDR):	True WDR (120 dB)
Minimum Illumination:	Color: 0.75 lux @ 50 IRE; B/W: 0 lux (IR LED ON)
IR Illuminator:	Distance: 1312 ft (400 m). Synchronized, manual or fixed mode.
Lenses	
Focal Length:	6 - 180 mm (30X optical zoom)
Max. Aperture:	f/1.6
Iris:	Autoiris
Zoom/Focus Adjust:	Motorized focus and zoom
Horizontal Field of View:	2.7° - 55.4°
Network Video Transmission	
Network:	10Base-T, 100Base-TX, RJ-45
Image Compression:	H.265/H.264 and M-JPEG
Resolution:	3840×2160, 3072×2048, 2592×1944/1520, 2560×1440, 2048×1536, 1920×1080 (1080P), 1440×1080, 1280×1024/720, 1024×768, 800×600/480, D1, 640×480, 400×240, CIF
Protocol:	IPv4/IPv6, TCP/IP, HTTP, HTTPS, RTSP, RTCP, RTP, DHCP, FTP, uPnP, QoS, Zeroconf, Bonjour, ONVIF
Frame Rate:	Max. 30 fps (25 fps, PAL)
Streams:	Quad stream (3x H.265/H.264 and 1 x MJPEG)
Users:	Live viewing for up to 10 clients; playback for up to 3 clients
Web Browser:	Internet Explorer®; Safari®, Firefox®, Google Chrome®
Security:	IP address filtering, HTTPS encrypted data transmission, SSL, password protection
Local Recording:	Micro-SD slot provided; customer supplied SDHC/SDXC card
Mechanical and Electrical	
Construction:	Die-cast aluminum base; tamperproof screws
Pan Range:	360° continuous pan
Pan Speed:	380°/second maximum
Tilt Range:	100° (-10° to 90°)
Tilt Speed:	380°/second maximum
Presets:	256
Tours/Pattern:	8/8
Audio Capability:	Two-way audio; G.711 compression
Mounting:	Mounting accessories available for pendant/wall and in-ceiling
Dimensions:	7.9 in. (201.8 mm) (Diam) x 12.5 in. (317.8 mm) (H); refer to dimensional diagram
Weight:	11.2 lb (5.1 kg)

SPECIFICATIONS

Input Power:	UPoE (injector included); 12 VDC ±10%. Injector dimensions: H: 1.25 in. (31.8 mm); W: 2.375 in. (60.3 mm); D: 5.375 in. (136.5 mm)
Current (IR on):	500 mA @ PoE; 2.3 A @ 12 VDC
Power Consumption (IR on):	28 W
Controls and Connectors	
Connectors:	Power: 12 VDC DC jack; Network/UPoE: RJ-45 CAT 5; Alarm In (4)/Out (1): screw terminal; SDHC/SDXC Card Slot; Audio In and Out: jack (Audio Out requires external amplifier)
Environmental	
Operating Conditions:	Temp: -22° to 131° F (-30° to 55° C) Humidity: up to 90%, relative, non-condensing Limitations in certain weather conditions, including blizzard conditions and freezing rain with high winds.
Approvals:	FCC Class A, CE, IP66, IK10
Warranty:	3 years

Dimensional Drawing [in. (mm)]



Ordering Information	
Model Number	Description
SN688D-WIR	4K/8 MP network PTZ camera. 30x zoom. Integrated IR LED (1312 ft/400m range). Color: 0.35 lux, B/W: 0 lux, IR LED ON). True WDR. 2 way audio, Power: UPoE (injector); 12 VDC (28W). Privacy masks.
V670-HDB242E	Pendant arm
V670-HDB241	Pole/ceiling mount
V670-HCM154	Adapter; allows the arm to be mounted on a corner or pole mount
V670-HCM150	Corner mount adapter; works with V670-HCM154 and V670-HDB242E
V670-HCM151	Pole mount adapter; works with V670-HCM154 and V670-HDB242E



Data Sheet Number: V270-30-03
Vicon Data Sheet Number: 8009-7270-30-03

Specifications subject to change without notice.
Vicon and their logos are registered trademarks of Vicon Industries Inc.
Copyright © 2020 Vicon Industries Inc. All rights reserved.

Explorer is a registered trademark of Microsoft Corporation.
Chrome is a registered trademark of Google LLC.
Firefox is a registered trademark of Mozilla Corp.
Safari is a registered trademark of Apple Inc.