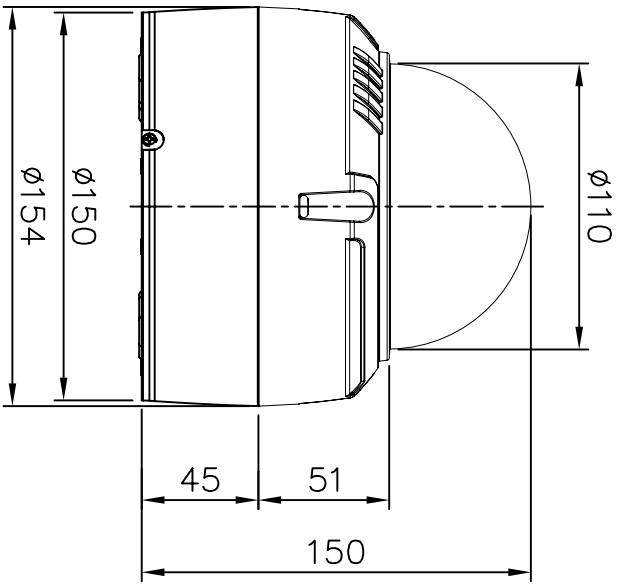
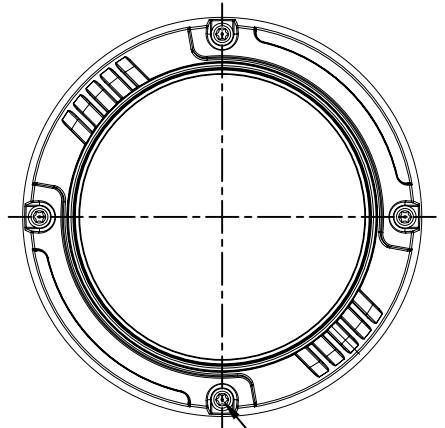


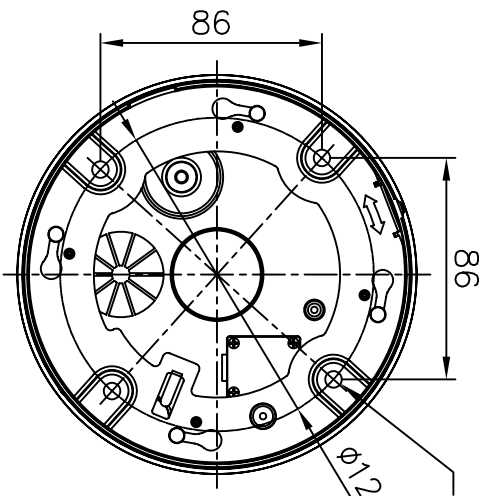
PRODUCTION RELEASE & REVISION		1	
REV.	DESCRIPTION	BY	DATE
A	INITIAL	K.D.Han	10 Feb. 2017



Front View



Top View



Bottom View

Model Name	ERP Code	Finish	Brand	Remark
mass omnibus system	APPROXIMS			
ALL DIMENSIONS ARE IN MM				
1 = ± 0.10, 2 = ± 0.20, 3 = ± 0.30				
TOLERANCIAS: 0,10/0,20/0,30				
DATE	BY	DATE	TITLE	REV.
10 Feb. 2017	K.D.Han	10 Feb. 2017	* V I C O N	A
DRAWN			K.D.Han	
SCALE			1 : 1	
SHEET			1 of 1	
PROJECTION			1st	
CADD File :				
			SN663V-B	
			REV. A	