

V922B-W551MIR-A1 NETWORK BULLET CAMERA



Product at a Glance

- ▶ 1080p resolution (1920x1080)
- ▶ Color: 0.35 lux; BW: 0.013 lux (IR LEDs off)
- ▶ 5.1-51 mm motorized focus and zoom lens (10x)
- ▶ True WDR (120 db)
- ▶ H.264 high-profile and MPEG-4 compression
- ▶ Museum Search
- ▶ IR LEDs (82 ft/25 m range)
- ▶ PoE+ or 12 VDC
- ▶ Triple streaming video
- ▶ Audio and alarm in/out
- ▶ uSD card slot for on-camera storage
- ▶ Rugged construction for harsh indoor or outdoor environments, IP66 and IK10 rated; integral heater
- ▶ Integral wall mount



Overview

Vicon's V922B-W551MIR-A1 HD IP Bullet Camera is designed for performance in the most demanding security installations. The 1080p megapixel camera delivers crisp clear images to fit any installation need. It includes a 5-51 mm motorized varifocal autoiris lens and IR illuminators; true WDR is provided. Refer to the table for details.

The V922B-W551MIR-A1 provides triple-streaming video and supports H.264 compression technology, drastically reducing file sizes and conserving valuable network bandwidth. Users can receive multiple streams simultaneously in different resolutions, frame rates and image qualities for viewing on different platforms. A microphone and speaker can be connected to the camera to enable two-way audio through the camera.

The bullet camera is designed for easy installation. Power over Ethernet+ (IEEE 802.3at class 4) eliminates the need for power cables, providing a cost-effective method of installation. The

camera also accepts 12 VDC. The V922B-W551MIR-A1 has an integral mount that allows it to be mounted on a wall. The camera position is adjustable to any view required.

In order to adapt to constantly changing outdoor lighting conditions, the V922B-W551MIR-A1 features an autoiris lens to protect from damage induced by direct sunlight. The true day/night camera also includes a removable IR cut filter for superior image quality around the clock. The Wide Dynamic Range (WDR) further improves video exposure quality in scenes with high contrast between bright and dark areas. To adapt to low lighting conditions, integrated IR LEDs illuminate the scene up to 82 ft (25 m).

For protection against the elements, the camera dome is IP66 rated with a vandal-proof casing to withstand rain, dust, and vandalism; it is also IK10 rated for impact protection. It also includes a heater. The unit is secured by tamperproof screws.

Ordering Information

Resolution	Lens	Model Number
1080p resolution (2 MP) network vandal bullet camera	5.1 - 51 mm (10X) motorized zoom and focus; IR illuminators	V922B-W551MIR-A1

Accessories	Description	Model Number
Backbox	For ease of cabling	V988B-BOX
Corner Mount	Adapter for corner mounting; compatible with V988B-BOX	V670-HCM150
Pole Mount	Adapter for pole mounting; compatible with V988B-BOX	V670-HCM151
Adapter	Adapter for mounting to a 4x4 electrical box	V-CAM-ADAPT

V670-HCM150



V670-HCM151



V988B-BOX



V-CAM-ADAPT



SPECIFICATIONS

Model	V922B-W551MIR-A1
Image Sensor:	1/2.8-inch progressive scan CMOS
Max Resolution:	1080 x 1920 (2 MP)
Image Settings:	Adjustable bit rate. Digital image effects: flip/mirror. Configurable brightness, contrast, color, hue, sharpness. White balance. Digital zoom. Automatic gain control (AGC). Electronic shutter speed (AES). Automatic or manual day/night mode. BLC (Backlight Compensation). Dynamic Noise Reduction (2DNR/3DNR). Motion detection (16 areas). Privacy masking (16 zones). Zoom/focus presets (256 presets). Slow shutter.
Video Analytics:	DIS, Defog, Tampering, Line Cross Detection, Field Detection, Face Detection. Museum Search.
Electronic Shutter Speed:	Auto 1/3 ~ 1/30,000; Manual
Digital Zoom:	2-16X (client software)
Day/Night Performance:	True day/night (IR cut filter)
Wide Dynamic Range:	120 db WDR
Minimum Illumination:	IR Color: 0.35 lux; IR BW: 0.013 lux @ 50 IRE
IR Distance:	82 ft (25 m) (with 32 IR LEDs)

Lenses

Focal Length:	5-51 mm motorized focus and zoom (10X zoom)
Max. Aperture:	f/1.3
Iris:	Autoiris
Zoom/Focus Adjust:	Motorized focus and zoom; 256 presets
Horizontal Field of View:	54° - 4.9°

Network Video Transmission

Network:	10Base-T, 100Base-TX, RJ-45
Image Compression:	H.264, M-JPEG (triple stream: 2x H.264/1x M-JPEG); CVBR, VBR bit rate control
Resolution:	1920x1080 (1080P full HD), 1280x1024 (SXGA), 1280x720/960 (720P HD), 704x480/576 (D1), 640x480/360 (VGA), 320x240 (QVGA)
Protocol:	IPv4/IPv6, TCP/IP, HTTP, HTTPS, RTSP, RTCP, RTP, DHCP, FTP, UDP, uPnP, ARP, QoS, Zeroconf, Bonjour
Frame Rate:	60 fps max.
Streams:	Triple streaming (30 fps); Dual streaming (60 fps)
Users:	Live viewing for up to 10 clients; playback up to 3 clients (Unicast)
Web Browser:	Internet Explorer® 7.0 and above; Safari®, Firefox®, Google® Chrome®
Security:	IP address filtering, HTTPS encrypted data transmission, SSL, password protection

Mechanical and Electrical

Construction:	Die-cast aluminum base; polycarbonate plastic clear dome; tamperproof screws
Camera Angle of Adjustment:	Pan and tilt adjustment of integral wall mount
Mounting:	Integral mount for surface mounting
Dimensions:	3.9 in. (98.4 mm) (W) x 3.7 in. (92.9 mm) (H), 11.4 in. (287.7 mm) (D), including sunshield and mount; refer to dimension drawing
Weight:	2.6 lb (1.2 kg), including sunshield and mount

Internet Explorer is a registered trademark of Microsoft; Safari is a registered trademark of Apple Inc; Chrome is a registered trademark of Google; Firefox is a registered trademark of Mozilla Corp.; Opera is a registered trademark of Opera Software.

Data Sheet Number: V286-10-01
Vicon Data Sheet Number: 8009-7286-10-01

SPECIFICATIONS

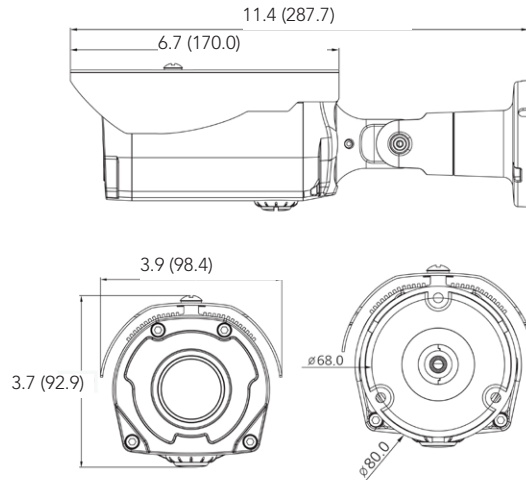
Input Power:	12 VDC, PoE IEEE 802.3at Class 4 (PoE+)
Current (IR on):	12 VDC: 1.6 A max.; PoE: 0.47 A
Power Consumption (IR/heater on):	12 VDC: 19.2 W max.; PoE: 22.6 W
Audio:	1 input/1 output; G.711 codec; 64 kbps bit rate
Storage:	Slot for uSD card on camera (SDHC, max. 32 GB; card not supplied)

Controls and Connectors

Connectors:	Power: 12 VDC jack; PoE/Network: RJ-45 CAT 5. Local Storage: uSD card slot. Alarm in/out: 3-pin screw terminal. Audio in (mic)/out (spkr): 2-pin screw terminal each. Reset button.
--------------------	---

Environmental

Operating Conditions:	Temp: -22 to 122° F (-30 to 50° C) Humidity: up to 90%, non-condensing
Approvals:	FCC Class A, CE, IP66; IK10
Warranty:	3 years



Dimensional Drawing: in. (mm)

