

SN240D PTZ SPEED DOME CAMERA



Overview

The SN240D high-definition (HD) PTZ dome camera is designed to fit in a wide range of environments. The 4.3-129 mm varifocal lens with an optical 30X zoom provides superb sharpness and excellent sensitivity. The day/night camera utilizes a 1/2.8" Sony STARVIS CMOS sensor, which can provide quality imaging down to 0.013 lux. True Wide Dynamic Range (WDR; 120dB) improves detail in bright or low light areas of the image and DNR corrects imperfections in the image.

Product at a Glance

- ▶ 1080p resolution (1920 x 1080)
- ▶ Min illumination: Color 0.35 lux, B/W: 0.013 lux
- ▶ 30X optical zoom and 16X digital zoom
- ▶ True WDR (120 db)
- ▶ Max 380°/sec speed (preset)
- ▶ Power-over-Ethernet (IEEE 802.3af), 12VDC/24VAC
- ▶ Privacy Masking
- ▶ Audio In/Out
- ▶ DIS (Digital Image Stabilization), tampering, defog, face detection, and object detection; Museum Search
- ▶ Composite Video Out + RS485
- ▶ IP66; IK10

Ordering Information

Resolution	Lens	Model Number
1080p (2 MP)	4.3-129 mm motorized varifocal	SN240D

Accessories	Description	Model Number
Wall Mounts	For installation on a wall	SVFT-UWM-1
		SVFT-WM-1
Ceiling Mount	For mounting to a ceiling	SVFT-UCM-1
Parapet Mount	For parapet mounting	SVFT-UPM-2
Corner Mount	For corner mounting a wall mount	V-24CMB-2
Pole Mount Adapter	For pole mounting a wall mount	V-20B-A-2



SVFT-UWM-1



SVFT-WM-1



SVFT-UCM-1



SVFT-UPM-2



V-24CMB-2



V-20B-A-2

SPECIFICATIONS

Model	SN240D
Image Sensor:	1/2.8-inch Sony STARVIS CMOS sensor; progressive scan
Max Resolution:	1920 x 1080 (2 MP)
Image Settings:	Adjustable bit rate. Flip and mirror. Configurable brightness, contrast, color, hue, sharpness. White balance. AGC. AES. Automatic or manual day/night mode. 2DNR/3DNR. BLC (Backlight Compensation). Digital zoom. Motion detection (16 areas). Privacy masking (16 masks). Slow shutter.
Video Content Analysis:	Digital Image Stabilization; Defog; Face Detection; Tampering; Line Detection; Field Detection. Museum Search.
Electronic Shutter Speed:	Auto (1/30,000 ~ 1/3 sec), manual
Electronic Zoom:	2 ~ 16X (client software)
Day/Night Performance:	True day/night (IR cut filter)
Wide Dynamic Range	True WDR (120 dB)
Minimum Illumination:	Color: 0.35 lux; B&W: 0.013 lux @ f/1.2, 50 IRE.
Presets:	256 presets, 8 tours, 8 patterns, 16 privacy masking zones, 16 motion detection zones
Pan and Tilt:	Pan: 180° continuous; Tilt: 0 - 180°; digital flip

Lenses

Focal Length:	4.3-129 mm (30X)
Exposure:	Automatic or manual
Iris:	DC autoiris
Zoom/Focus Adjust:	Motorized zoom and focus
Horizontal Field of View:	2.23° - 65.1°

Network Video Transmission

Network:	10Base-T, 100Base-TX, RJ-45
Image Compression:	H.264 (High Profile); M-JPEG; CBR, VBR
Resolution:	1920x1080 (Full HD), 1280x1024 (SXGA), 1280x720/960 (HD), 704x480/576 (D1), 640x480 (VGA), 320x240 (QVGA)
Protocol:	IPv4/IPv6, TCP, HTTP, HTTPS, RTSP, RTCP, RTP, DHCP, UDP, ARP, UPnP, IGMP, SMTP, NTP, DNS, DDNS
Frame Rate:	50/60 fps max.
Streams:	Triple streams: H.264 - 2; M-JPEG - 1
Users:	10 users Live; 3 users Playback (Unicast)
Alarm:	4 input/1 output
Audio	2 way audio, 1 input/1 output; G.711
Web Browser:	Internet Explorer® 7.0 and above, Chrome®, Safari®, Firefox®
Security:	Multi-user Authority, IP address filtering, HTTPS encrypted data transmission, SSL, password protection

Mechanical and Electrical

Construction:	Aluminum base; polycarbonate clear dome; tamperproof screws
Mounting:	A variety of mounting options are available; refer to Model table
Dimensions:	9.2 in. (234 mm) (Diam) x 11.85 in. (301 mm) (H)
Weight:	Indoor camera module: 2.7 lb (1.2 kg); with outdoor housing: 7.3 lb (3.3kg)

Data Sheet Number: V305-00-02
Vicon Data Sheet Number: 8009-7305-00-02

Dated: 10/2019
Specifications subject to change without notice.
Vicon and its logo are registered trademarks of Vicon Industries Inc.
Copyright © 2019 Vicon Industries Inc. All rights reserved.

Explorer is a registered trademark of Microsoft Corporation.
Chrome is a registered trademark of Google LLC.
Firefox is a registered trademark of Mozilla Corp.
Safari is a registered trademark of Apple Inc.



SPECIFICATIONS

Electrical

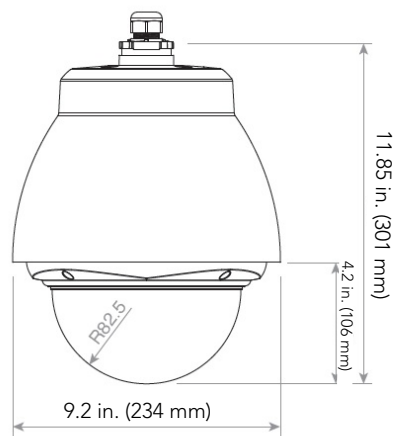
Input Power:	Camera: PoE (802.3af, Class 0); 12 VDC; 24 VAC. Heater/Fan: 24 VAC.
Current:	Camera: 270 mA @PoE, 1.1 A @12 VDC/24 VAC
Power Consumption:	12.8 W @PoE, 13.2 W @12 VDC/24 VAC

Controls and Connectors

Connectors:	Power: terminal block (3-pin); Heater/Fan: terminal block (3-pin)PoE/Network: RJ-45 CAT 5; Alarm Input/Output: terminal block (6-pin); Audio Input/Output: stereo jack; SDHC u-SD card slot; Composite Out: BNC jack; RS485: terminal block (2-pin)
-------------	---

Environmental

Operating Conditions:	-58 to 149° F (-50 to 65° C) Humidity: up to 90%, non-condensing
Approvals:	FCC Class A, CE, IP66, IK10
Warranty:	3 years



Dimension Drawings [in. (mm)]