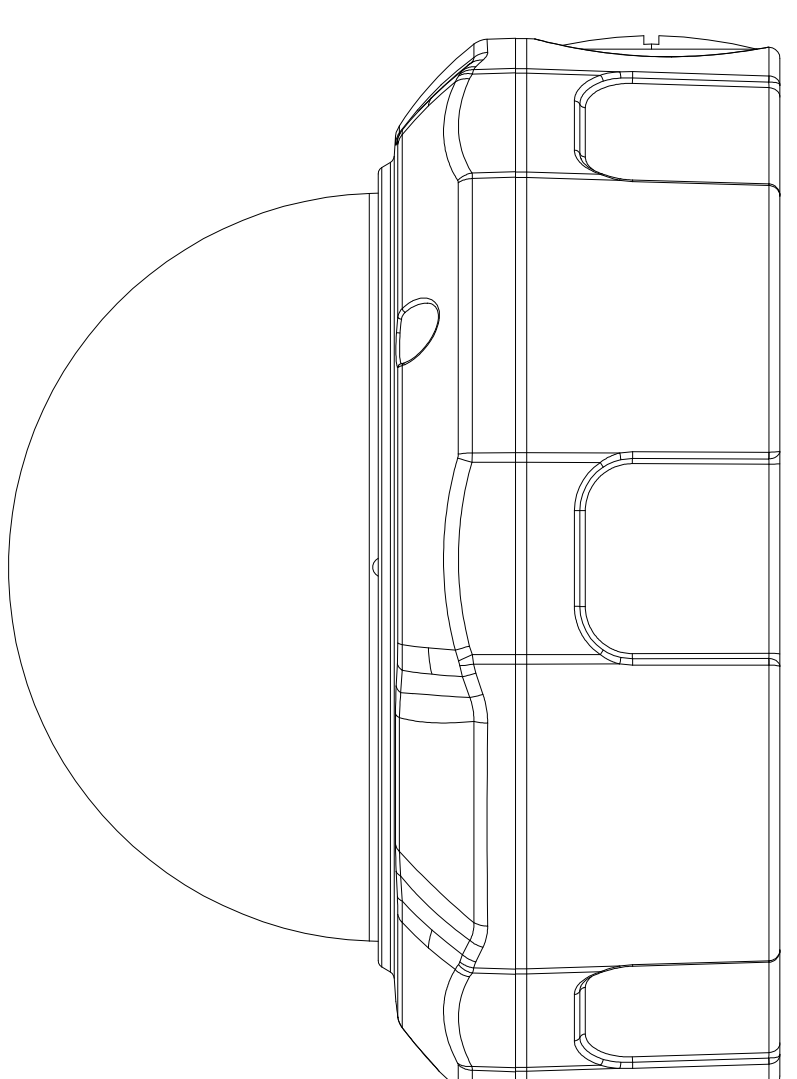
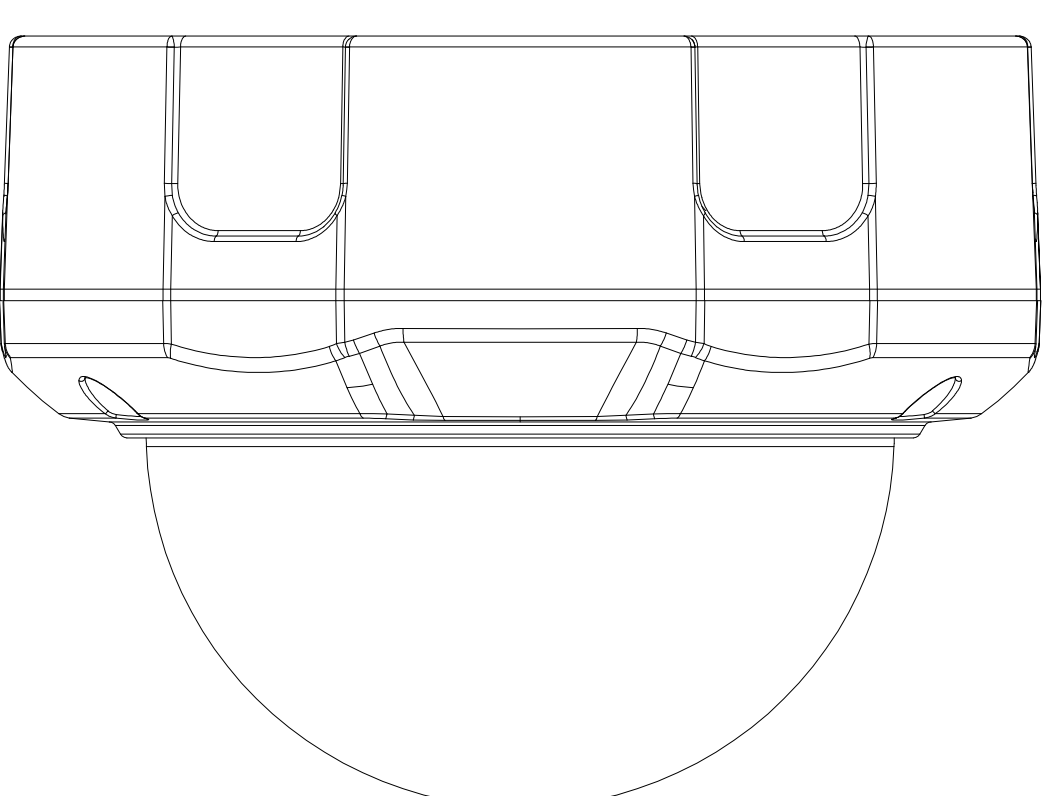


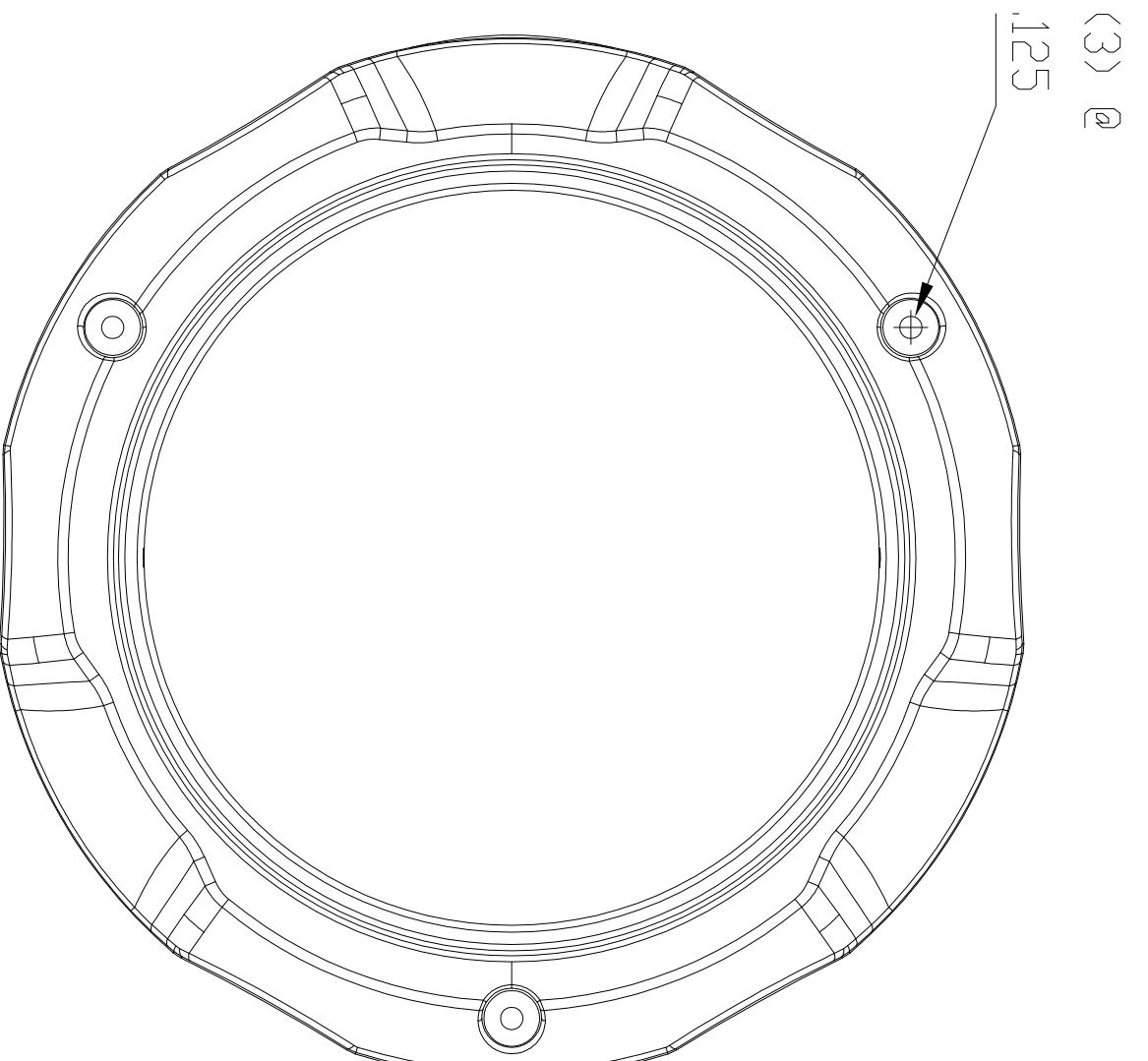
REV.	DESCRIPTION	ECO NO.	PRN NO.	DUN NO.	BY	DATE	APPR
00	RELEASE FOR INFO						



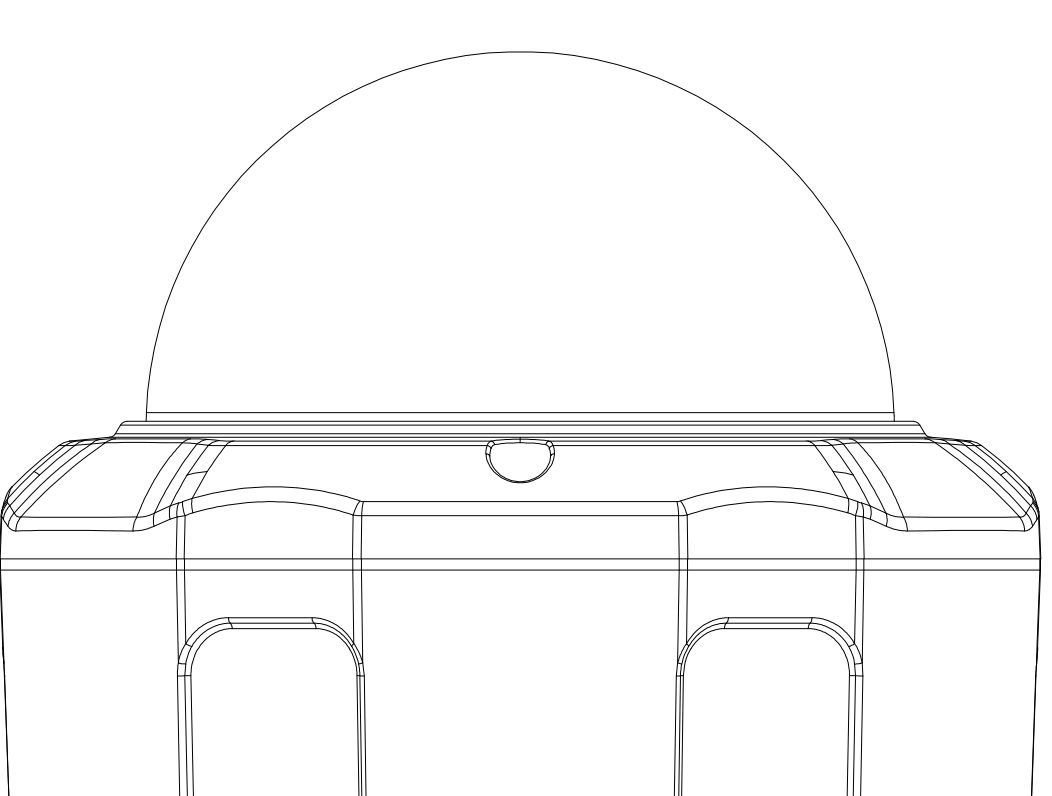
SIDE VIEW



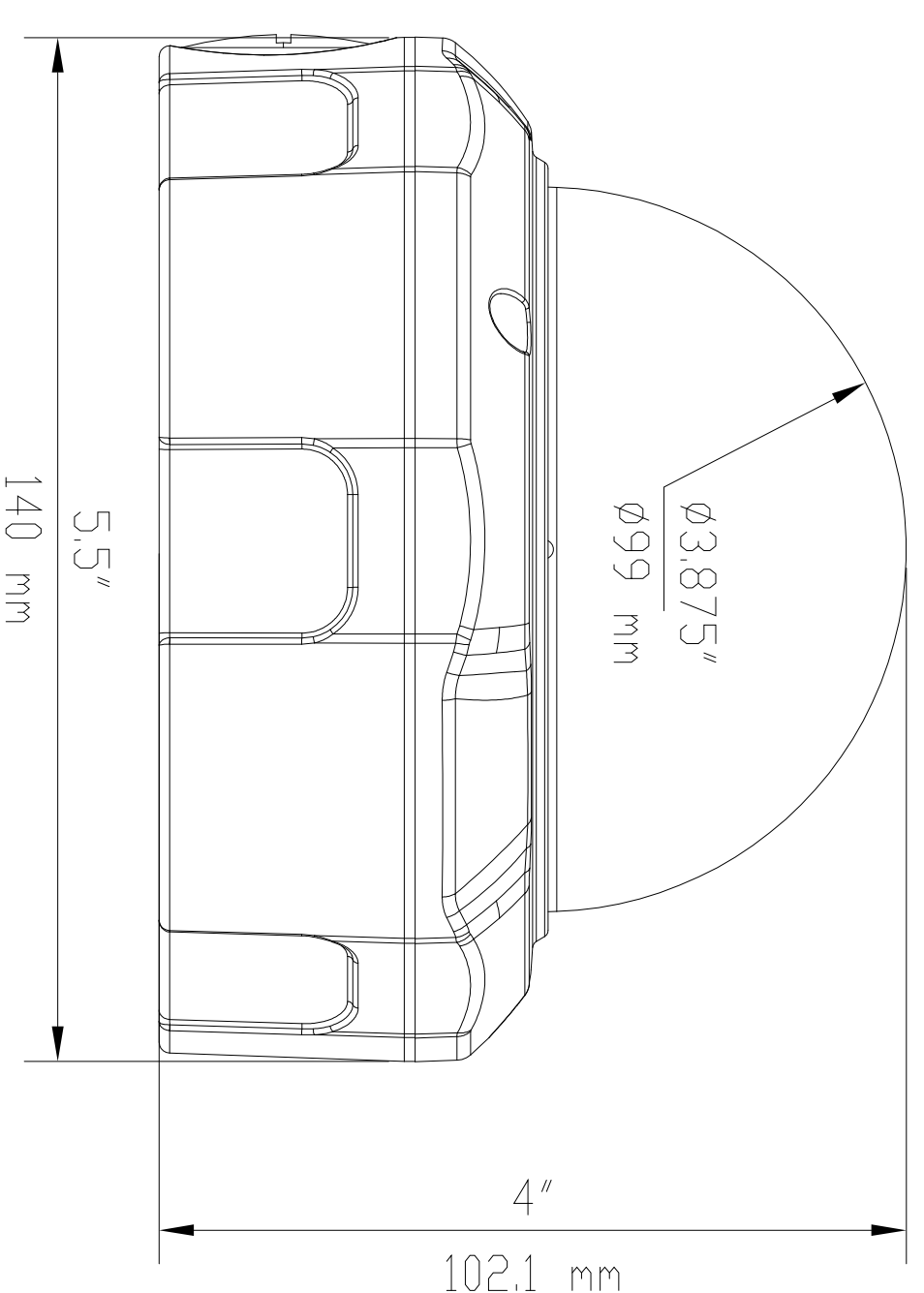
SIDE VIEW



BOTTOM VIEW



SIDE VIEW



SIDE VIEW

THIS PAPER AND THE MATTER SHOWN AND DESCRIBED ARE PROPRIETARY TO WICON INDUSTRIES, INC. THIS PAPER IS ISSUED IN STRICT CONFIDENCE AND SHALL NOT BE REPRODUCED OR COPIED, OR USED AS A BASIS FOR THE MANUFACTURE OF APPARATUS WITHOUT SPECIFIC WRITTEN AUTHORITY OF WICON INDUSTRIES, INC.

FILE NO. 131140210100	THIRD ANGLE	REMOVE ALL BURRS AND SHARP EDGES DO NOT SCALE DRAWING	MODEL NO. V940D SERIES
TOLERANCES XX DEC. ± .02 FRACTION XXX DEC. ± .005 ANG. ± .3°	ALL DIMENSION IN INCHES	FINISH ON ALL SURFACES UNLESS OTHERWISE SPECIFIED THIS PART HAS A STANDARD FINISH PER WICON SPEC.	TITLE OUTDOOR VANDAL DOME CAMERA
MATERIAL	DATE	DESIGNER	WICON INDUSTRIES INC. 135 FELL COURT HAUPPAUGE, N.Y. 11788
HEAT TR.	SIGNATURE	CHECKER	SCALE SIZE SHEET 1 OF 1
FINISH	APPROVED	REV.	

1311-4021-01-00